



IconTM
Direct Vent
Gas Fireplace Series

heatilator[®]
The first name in fireplaces

Icon Direct Vent

Gas Fireplace Series



IDV4833I
Shown with Fireside Furnishings™ Avalon cast surround, overmantel, hearth kit and Salem front



IDV6247I
Shown with Fireside Furnishings™ white marble and custom surround

Enjoy A Grand Fire!

- The **perfect fireplace choice** for that custom home
- Can be installed in a **flush hearth**
- **Finishing material can be brought up to opening** to minimize visible steel
- **Refractory standard**—your choice of traditional or herringbone
- IDV4833I features **6 oversized, hand-painted logs**;
IDV6247I features **8 oversized, hand-painted logs**
- **Incredible focal point** in any room. 33" x 33-1/2" opening on the IDV4833I and 47" x 38" opening on the IDV6247I
- **Top direct vent** allows installation along interior or exterior walls, below grade, or in corners
- Choose one of **two unique front faces** to create just the right look
- **Optional Heat-Zones or Heat Ducts** available to route some heat into other rooms of the home
- **Sealed combustion chamber** uses only outside air for combustion, helping to preserve indoor air quality and prevent negative air pressure problems
- **33,500–48,000 Btu hour/input** for the IDV4833I;
40,000–59,000 Btu hour/input for the IDV6247I
- **UL tested and listed; Limited Lifetime Warranty**

IntelliFire™ Ignition System

IntelliFire

- With IntelliFire, there's no need for a constantly-burning pilot, saving the homeowner an average of \$10-12 per month. When the fireplace is turned on, the pilot lights first then ignites the main burner. When the fireplace is not operating, the pilot also shuts down.
- The IntelliFire system installation choices include hardwiring, hardwiring with a battery backup, or operating with two size D batteries (not included)

Certifications/General Considerations

- Certified for installation in bedrooms and bed/sitting rooms
- The rough framing dimensions shown represent the distance from stud to stud only and do not take into consideration the addition of drywall. Consult local building codes for local installation and operational guidelines.
- Wiring for remote control (120V) must be done prior to finishing the installation
- A hearth extension is not required

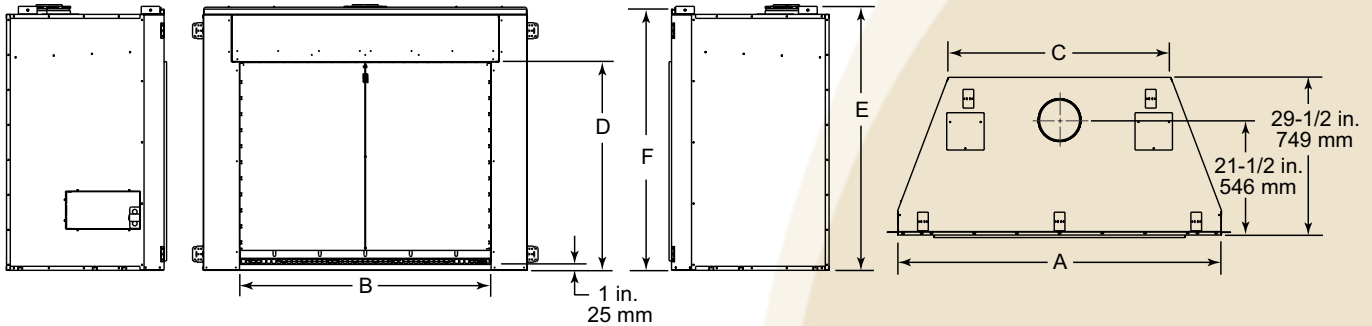
Finishing Materials

- When finishing the Icon DV, combustible material may be brought up to the sides of the fireplace but must never overlap the face. The front face may be completely covered with noncombustible material only, such as marble, tile, stone, etc.

PRODUCT, FRAMING & CLEARANCE DIMENSIONS

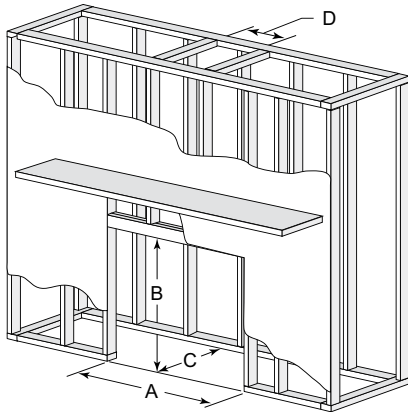
This information is for planning purposes only. Please refer to installation instructions when installing this product.

Product Dimensions



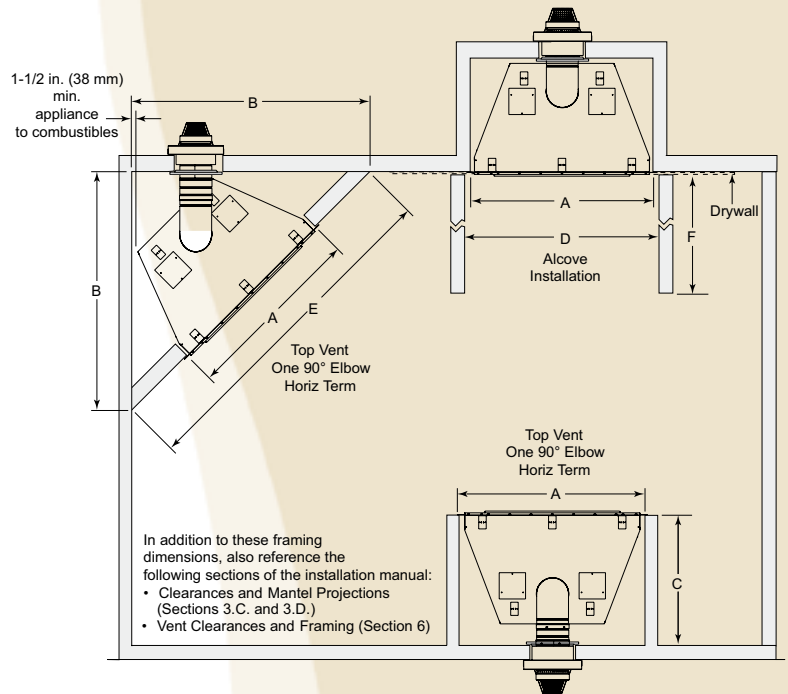
Model #		A	B	C	D	E	F
IDV4833I	in.	46-1/2	33	27-5/8	34-1/2	45-1/4	44-3/8
	mm	1181	838	702	876	1149	1127
IDV6247I	in.	60-1/2	47	41-5/8	39	49-3/4	48-7/8
	mm	1537	1194	1057	991	1264	1241

Framing Dimensions



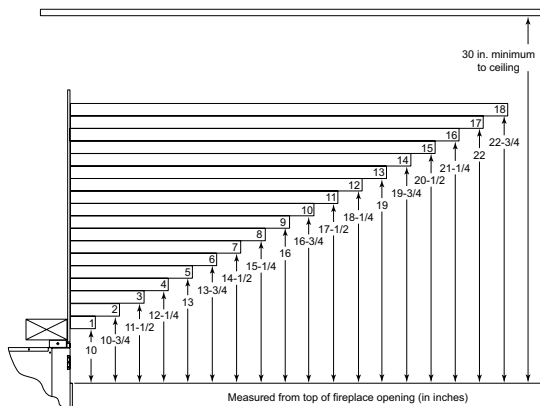
Model #		A	B	C	D
IDV4833I	in.	47-1/2	45-1/2	30-1/2	10
	mm	1207	1156	775	254
IDV6247I	in.	61-1/2	50	30-1/2	10
	mm	1562	1270	775	254

Fireplace Locations



Model #		A	B	C	D	E	F
IDV4833I	in.	47-1/2	64-1/4	30-1/2	48-1/2	90-7/8	48
	mm	1207	1632	775	1232	2309	1219
IDV6247I	in.	61-1/2	74-1/8	30-1/2	62-1/2	104-7/8	48
	mm	1562	1883	775	1588	2665	1219

Mantel Clearances



Icon Direct Vent

Gas Fireplace Series

MODELS AND OPTIONS

Model Number	Viewing Size	Fuel		Refractory Pattern	
		NG	LP	Traditional	Herringbone
IDV4833IT	33" x 32-1/2"	🔥		🔥	
IDV4833ILT	33" x 32-1/2"		🔥	🔥	
IDV4833IH	33" x 32-1/2"	🔥			🔥
IDV4833ILH	33" x 32-1/2"		🔥		🔥
IDV6247IT	47" x 38"	🔥		🔥	
IDV6247ILT	47" x 38"		🔥	🔥	
IDV6247IH	47" x 38"	🔥			🔥
IDV6247ILH	47" x 38"		🔥		🔥

Controls & Wall Switches



Remote Controls
SMART-STAT-HTL
RCT-MLT-HTL
SMART-BATT-HTL



IntelliFire™ Plus
WSK-MLT-HTL



WSK-100-HTL

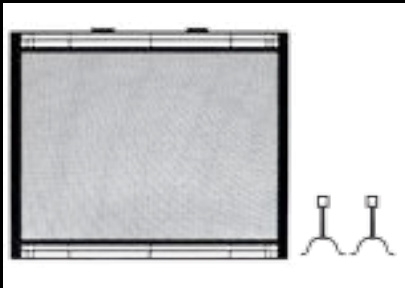


WSK-300-HTL

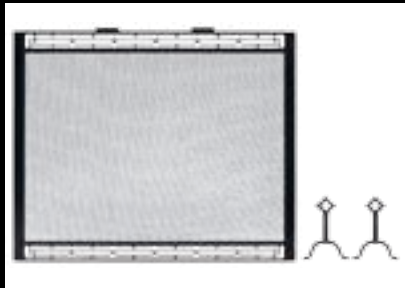


Basic On/Off
Wall Switch
WSK-21-HTL
WSK-21-W-HTL

Decorative Fronts



Portfolio Decorative Front and
Andirons
DF-PORT33-BK/BZ
DF-PORT47-BK/BZ



Salem Decorative Front
and Andirons
DF-SAL33-BK/BZ
DF-SAL47-BK/BZ

Options Not Pictured

DCKVP-I60/I100
DCKVN-I60/I100
HEAT-ZONE-GAS
HEAT-DUCT
Mantels and Surrounds

LP gas conversion kit
Natural gas conversion kit
Heat Zone Kits
Heat Zone Kits
See MSRP Book

Venting Accessories

Cinch Pipe

See MSRP for complete
selection

AVAILABLE FROM

heatilator
The first name in fireplaces

a brand of Hearth & Home Technologies Inc.

1915 West Saunders Street • Mt. Pleasant, Iowa 52641

800-927-6841 • heatilator.com

The information provided in this literature is for planning purposes only. Please consult the installation manual for actual installation. Actual product appearance may differ from product images.