

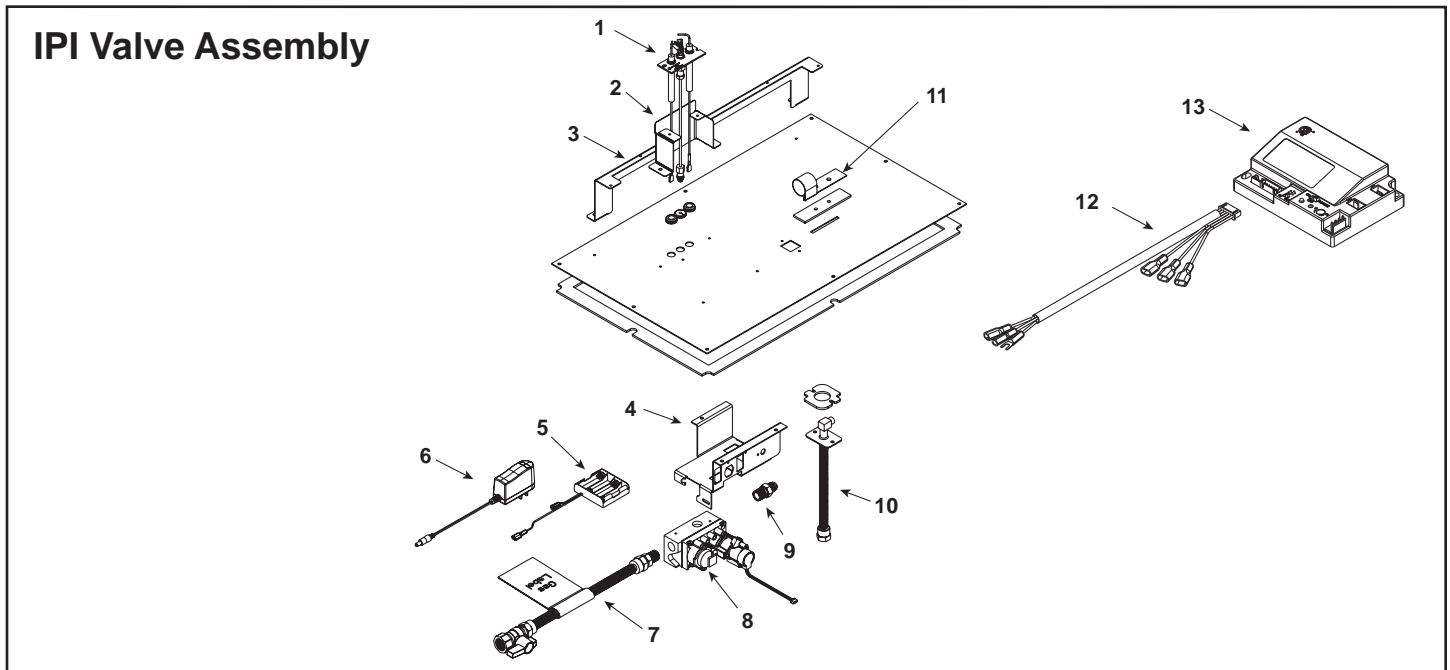
IMPORTANT: THIS IS DATED INFORMATION. When requesting service or replacement parts for your appliance please provide model number and serial number. All parts listed in this manual may be ordered from an authorized dealer.



**Stocked
at Depot**

ITEM	DESCRIPTION	COMMENTS	PART NUMBER	
	Log Assembly		LOGS-4236	Y
1	Log #1		SRV2208-702	
2	Log #2		SRV2208-703	
3	Log #3		SRV2208-704	
4	Log #4		SRV2208-073	
5	Log #5		SRV2208-705	
6	Log #6		SRV2208-706	
7	Insulation Board		2166-136	
8	Refractory Back		2207-720	
9	Refractory Side	Left	2207-721	
		Right	2207-722	
10	Glass Heat Shield		2207-723	
11	Grate Assembly		2208-015	
12	Burner Assembly NG		2207-007	Y
	Burner Assembly LP		2207-008	Y
13	Burner Skirt		2208-102	
14	Glass Assembly		GLA-6000G	Y
15	Mesh Assembly		530-382A	Y
16	Hood		SRV60-143-BK	
17	Louver Assembly, Top		2208-021	
18	Louver Assembly, Bottom		2208-020	
19	Valve Assembly	Refer to valve page		
20	Base Pan		2208-100	
21	Junction Box (Plastic)		4021-013	Y
	Clips, Hood	Pkg of 24	047-805-24	Y
	Clips, Mesh	Pkg of 24	2005-192-24	Y
	Exhaust Cover Shield		385-105	
	Flue Restrictor		385-128	
	Gasket Assembly Includes Burner Neck, Vent, Valve LED, and Air Shutter Gaskets		2166-081	
	Glass Clip Support Assembly	Qty. 4 req.	33858	Y
	Lava Rock Bag Assembly		4040-094	
	Lava Rock		4021-297	
	Mineral Wool		14333B	
	Vermiculite (small)		28746	
	Surround Assembly		2166-019	
	Conversion Kit NG		DCKVN-CAL36	Y
	Conversion Kit LP		DCKVP-CAL36	Y
	Orifice, Pilot NG		593-528	Y
	Orifice, Pilot LP		593-527	Y
	Regulator NG		NGK-DXV-50	Y
	Regulator LP		LPK-DXV-50	Y

Additional service part numbers appear on following page.



IMPORTANT: THIS IS DATED INFORMATION. When requesting service or replacement parts for your appliance please provide model number and serial number. All parts listed in this manual may be ordered from an authorized dealer.



Stocked at Depot

ITEM	DESCRIPTION	COMMENTS	PART NUMBER	
	Valve Assembly - NG		2207-003	
	Valve Assembly - LP		2207-004	
1	Pilot Assembly - NG		2208-012	Y
	Pilot Assembly - LP		2208-013	Y
	Pilot Tube		SRV485-301	Y
2	Pilot Bracket		2208-101	
3	Burner Leg		2208-106	
4	Valve Bracket		2118-104	
5	Battery Pack**		2166-323	Y
6	Power Supply		2166-305	Y
7	Flex Ball Valve Assembly		302-320A	Y
8	Valve - NG		2166-302	Y
	Valve - LP		2166-303	Y
9	Male Connector	Pkg of 5	303-315/5	Y
10	Bulkhead w/ Flex		7000-156	Y
11	Shutter Bracket Assembly		2118-121	Y
12	Wire Harness		2166-304	Y
13	Module		2166-307	Y
	Orifice (#37C) - NG		582-837	Y
	Orifice (#52C) - LP		582-852	Y
	Jumper Wires		2187-198	Y
	Thermostat Wire Assembly		2118-170	Y

**Fuse for battery pack can be sourced locally, not a warranty item. Specs are 500mA~10A 3/4" long