

Log Set Assembly



Part number list on following page.

IMPORTANT: THIS IS DATED INFORMATION. When requesting service or replacement parts for your appliance please provide model number and serial number. All parts listed in this manual may be ordered from an authorized dealer.

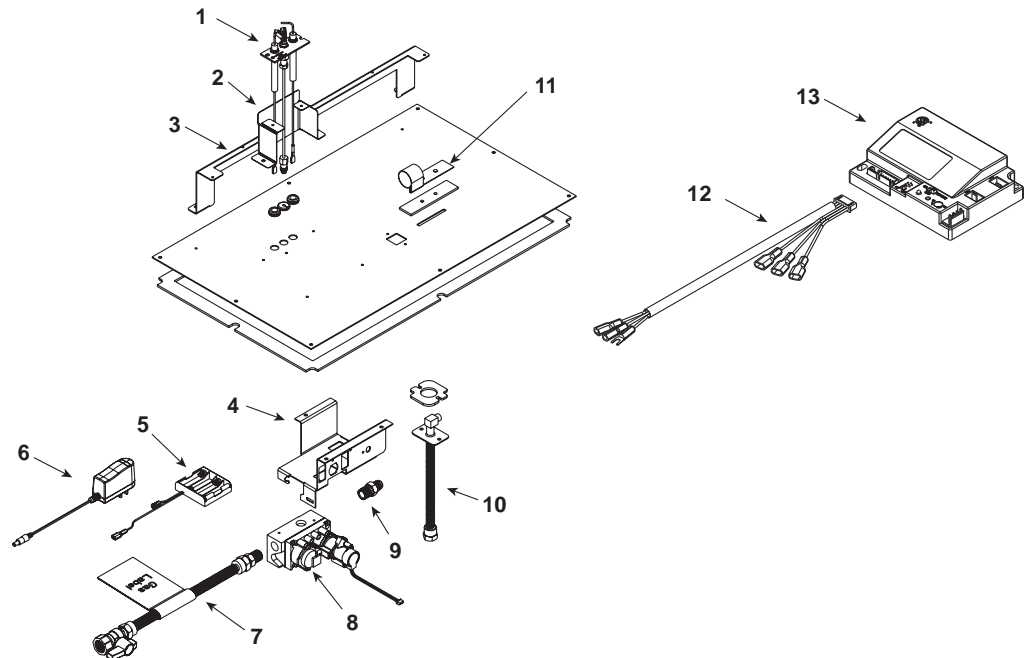


**Stocked
at Depot**

| ITEM | DESCRIPTION | COMMENTS | PART NUMBER | |
|------|--|----------------------------|-------------|---|
| | Log Assembly | | LOGS-4842 | Y |
| 1 | Log #1 | | SRV2208-702 | |
| 2 | Log #2 | | SRV2208-703 | |
| 3 | Log #3 | | SRV2208-704 | |
| 4 | Log #4 | | SRV2211-073 | |
| 5 | Log #5 | | SRV2208-705 | |
| 6 | Log #6 | | SRV2208-706 | |
| 7 | Insulation Board | | 2170-136 | |
| 8 | Refractory Back | | 2210-720 | |
| 9 | Exhaust Cover Shield | | 385-105 | |
| 10 | Refractory Side | Left | 2210-721 | |
| | | Right | 2210-722 | |
| 11 | Glass Heat Shield | | 2210-723 | |
| 12 | Grate Assembly | | 2211-015 | |
| 13 | Burner Assembly NG | | 2210-007 | Y |
| | Burner Assembly LP | | 2210-008 | Y |
| 14 | Burner Skirt | | 2208-102 | |
| 15 | Base Pan | | 2211-100 | |
| 16 | Glass Assembly | | GLA-950TR | Y |
| 17 | Screen Assembly | | 560-382A | Y |
| 18 | Hood | | SRV560-175 | |
| 19 | Louver Assembly, Top | | 2210-021 | |
| 20 | Louver Assembly, Bottom | | 2210-020 | |
| 21 | Valve Assembly | Refer to valve page | | |
| 22 | Junction Box (Plastic) | | 4021-013 | Y |
| | Clips, Hood | Pkg of 24 | 047-805-24 | Y |
| | Clips, Mesh | Pkg of 24 | 2005-192-24 | Y |
| | Flue Restrictor | | 385-128 | |
| | Gasket Assembly Includes: Burner Neck, Vent, Valve, LED, and Air Shutter Gaskets | | 2166-081 | |
| | Glass Clip Support Assembly | Qty. 4 req. | 33858 | Y |
| | Lava Rock Bag Assembly | | 4040-094 | |
| | Lava Rock | | 4021-297 | |
| | Mineral Wool | | 14333B | |
| | Vermiculite (small) | | 28746 | |
| | Surround Assembly | | 2170-019 | |
| | Conversion Kit NG | | DCKVN-CAL42 | Y |
| | Conversion Kit LP | | DCKVP-CAL42 | Y |
| | Orifice, Pilot NG | | 593-528 | Y |
| | Orifice, Pilot LP | | 593-527 | Y |
| | Regulator NG | | NGK-DXV-50 | Y |
| | Regulator LP | | LPK-DXV-50 | Y |

Additional service part numbers appear on following page.

IPI Valve Assembly



IMPORTANT: THIS IS DATED INFORMATION. When requesting service or replacement parts for your appliance please provide model number and serial number. All parts listed in this manual may be ordered from an authorized dealer.



Stocked at Depot

| ITEM | DESCRIPTION | COMMENTS | PART NUMBER | |
|------|----------------------------|----------|-------------|---|
| | Valve Assembly - NG | | 2207-003 | |
| | Valve Assembly - LP | | 2207-004 | |
| 1 | Pilot Assembly - NG | | 2208-012 | Y |
| | Pilot Assembly - LP | | 2208-013 | Y |
| | Pilot Tube | | SRV485-301 | Y |
| 2 | Pilot Bracket | | 2208-101 | |
| 3 | Burner Leg | | 2208-106 | |
| 4 | Valve Bracket | | 2118-104 | |
| 5 | Battery Pack** | | 2166-323 | Y |
| 6 | Power Supply | | 2166-305 | Y |
| 7 | Flex Ball Valve Assembly | | 302-320A | Y |
| 8 | Valve - NG | | 2166-302 | Y |
| | Valve - LP | | 2166-303 | Y |
| 9 | Male Connector | Pkg of 5 | 303-315/5 | Y |
| 10 | Bulkhead w/ Flex | | 7000-156 | Y |
| 11 | Shutter Bracket Assembly | | 2118-121 | Y |
| 12 | Wire Harness | | 2166-304 | Y |
| 13 | Module | | 2166-307 | Y |
| | Orifice (#33) - NG | | 582-833 | Y |
| | Orifice (#51) - LP | | 582-851 | Y |
| | Jumper Wires | | 2187-198 | Y |
| | Thermostat Wire Assembly | | 2118-170 | Y |

**Fuse for battery pack can be sourced locally, not a warranty item. Specs are 500mA~10A 3/4" long