

Part number list on following page.

IMPORTANT: THIS IS DATED INFORMATION. When requesting service or replacement parts for your appliance please provide model number and serial number. All parts listed in this manual may be ordered from an authorized dealer.

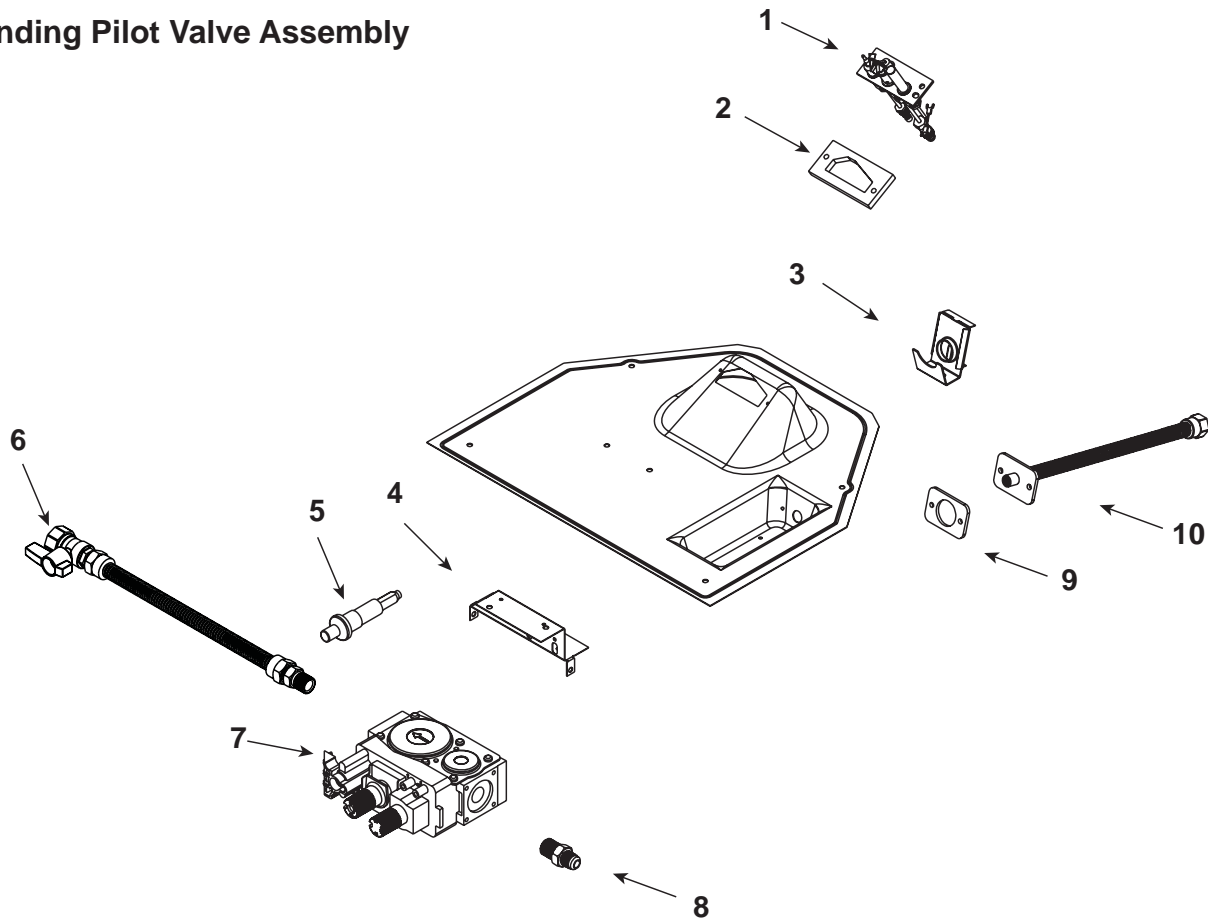


**Stocked
at Depot**

ITEM	DESCRIPTION	COMMENTS	PART NUMBER	
	Log Set Assembly		SRV4055-079	Y
1	Log 1 (Back Log)		4055-082	
2	Log 2 (Left Log)		4055-086	
3	Log 3 (Top Log)		4055-083	
4	Log 4 (Right Log)		4055-089	
5	Intake Cover Plate		25844	
6	Intake Cover Gasket		4031-239	
7	Glass Latch Assembly	Qty 4 req	33858	Y
8	Not replaceable must order overlay		4055-197	
9			4055-133	
10	Dry Wall Lip		4031-208	
11	Glass Shield		4031-220	
12	Flue Visor		4055-148	
13	Hearth Pan		4055-112	
14	Burner Assembly		4055-049	Y
15	Valve Assembly NG		4055-025	
16	Gasket, Valve Plate		4055-135	
17	Glass Frame Assembly		4031-096	Y
18	Hood		4055-216	
19	Screen Assembly		SRV4055-932	Y
20	Floor cover		4055-275	
21	Magnetic Touch Latch	Qty 2 req	4021-650	
22	Not replaceable must order overlay		4055-197	
23			4055-133	
24	Junction box		4021-013	Y
25	Cover Plate		4031-222	
26	Shield Junction Box		4031-193	
27	Nailing Flange	Qty 4 req	4044-161	
28	Back Gasket		4000-225	
	Lava Rock Bag Assembly		4040-094	
	Screen Rod		4055-614	Y
	Conversion Kit NG		SCKVN-B	Y
	Conversion Kit LP		SCKVP-B	Y
	Pilot Orifice NG		29476	Y
	Pilot Orifice LP		29477	Y
	Regulator NG		230-1570	Y
	Regulator LP		230-1520	Y

Additional service part numbers appear on following page.

Standing Pilot Valve Assembly



IMPORTANT: THIS IS DATED INFORMATION. When requesting service or replacement parts for your appliance please provide model number and serial number. All parts listed in this manual may be ordered from an authorized dealer.



Stocked at Depot

ITEM	DESCRIPTION	COMMENTS	PART NUMBER	Stocked at Depot
1	Pilot Assembly NG		2103-010	Y
	Pilot Assembly LP		2103-011	Y
2	Gasket, Pilot		4021-042	
3	Air Shutter Assembly		4055-202	Y
4	Bracket, Valve		4055-205	
5	Piezo Ignitor		291-513	Y
6	Flex Ball Valve Assembly		302-320A	Y
7	Valve NG		230-0710	Y
	Valve LP		230-0720	Y
8	Brass Fitting	Pkg of 5	303-315/5	Y
9	Gasket, Bulkhead		4021-429	
10	Bulkhead, Flexible		4021-512	Y
	Wire Assembly, Wall Switch		28602	Y
	Orifice NG (#37C)		582-837	Y
	Orifice LP (#52C)		582-852	Y