

Part number list on following page.

IMPORTANT: THIS IS DATED INFORMATION. When requesting service or replacement parts for your appliance please provide model number and serial number. All parts listed in this manual may be ordered from an authorized dealer.

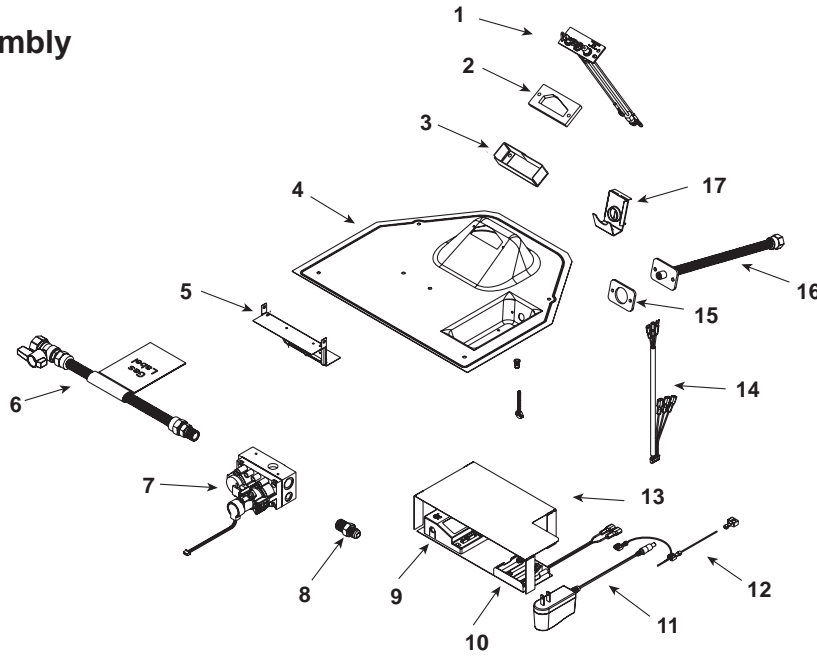


Stocked at Depot

ITEM	DESCRIPTION	COMMENTS	PART NUMBER	
1	Dry Wall Lip		4065-104	
2	Non Combustible Board, Front		4065-106	
3	Flue Baffle		4055-148	
4	Glass Heat Shield		4065-139	
5	Porcelain Liner		4065-113	
6	Pilot Cover		4065-109	
7	Rock Shield		4065-168	
8	Pilot Shield		4065-167	
9	Hearth Pan		4065-137	
10	Glass Frame Assembly		4000-307	
11	Burner Assembly NG/LP		4065-046	
12	Valve Assembly NG		4065-014	
13	Gasket, Valve Plate		4055-135	
14	Glass Latch Assembly	Qty 4 req	33858	
15	Junction Box		4021-013	
16	Cover Plate		4031-222	
17	Shield, Junction Box		4055-888	
18	Nailing Flange	Qty 4 req	4044-161	
19	Back Gasket		4000-225	
20	Intake Cover Plate		25844	
21	Intake Cover Gasket		4031-239	
	Top Vent Flue Baffle		4045-203	
	Installation Manual		4065-114	
	Conversion Kit NG		N/A	
	Conversion Kit LP		DCKVP-NEVO4236	
	Pilot Orifice NG		593-528	
	Pilot Orifice LP		593-527	
	Regulator NG		NGK-DXV-50	
	Regulator LP		LPK-DXV-50	

Additional Service Parts on following page.

IPI Valve Assembly



IMPORTANT: THIS IS DATED INFORMATION. When requesting service or replacement parts for your appliance please provide model number and serial number. All parts listed in this manual may be ordered from an authorized dealer.



Stocked at Depot

ITEM	DESCRIPTION	COMMENTS	PART NUMBER	
1	Pilot Assembly NG		2090-012	Y
	Pilot Assembly LP		2090-013	Y
2	Pilot Gasket		4021-042	
3	Pilot Bracket		4065-214	
4	Seal Plate		4055-584	
5	Valve Bracket		4055-205	
7	Valve NG		2166-302	Y
	Valve LP		2166-303	Y
6	Flex Ball Valve Assembly		302-320A	Y
8	Brass Connector	Pkg of 5	303-315/5	Y
9	Module		2166-307	Y
10	Battery Pack		2166-323	Y
11	DC Regulator		2166-305	Y
12	Jumper Wires		2187-198	Y
13	Control Module Shield		4055-898	
14	Wire Harness		2166-304	Y
15	Gasket, Bulkhead		4021-429	
16	Bulkhead W/Flex Tube		4021-512	Y
17	Air Shutter Assembly		4055-202	Y
	Orifice NG (#43C)		582-843	Y
	Orifice LP (#54C)		4021-636	Y