



NOVUS Evolution

Direct Vent Gas Fireplace



heatilator
The first name in fireplaces

Cover: Novus Evolution-36 shown with Clear glass media, Cinema front in Black and Blue Pearl granite.

Right: Novus Evolution-30 shown with Blue Cobalt glass media and Cinema front in Stainless Steel with finish trim piece.



Novus Evolution

The Novus Evolution combines the features and modern styling desired by consumers. The minimalist design features clean lines and contemporary elements with sleek surround options. A standard porcelain interior lining illuminates as it reflects the prominent flames rising from a bed of glass media, available in a wide range of color options.

The features continue with two size options in 30 and 36 inches along with easily adjustable flame and heat levels, ideal for smaller areas. Our new IntelliFire Plus Ignition System that allows for maximum fuel conservation and optional wireless controls in a stylish and ergonomic design completes the new Novus Evolution direct vent gas fireplace.

**IntelliFire™
Plus**

The IntelliFire Plus Ignition System is an “intelligent” control system providing energy conservation and the comfort of a roaring fire...all at your fingertips! IntelliFire Plus features intermittent pilot ignition (IPI), allowing you to conserve fuel and money when the fireplace is not in use. Optional constant pilot mode allows you to leave the pilot flame on in cold climates. In addition, the system offers seamless transition from AC to battery backup in a power outage, as well as built-in safety features and memory settings. Lastly, our new family of IntelliFire Plus wireless controls provides stylish and ergonomic controls with the features and benefits homeowners desire.

Front & Door Options



Cinema Front
(Shown with optional finishing trim)



Demi Non-Operable Front

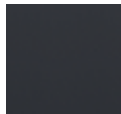


Demi Operable Front



Tres Operable Front

Finish options shown here available for the Cinema front.



Black

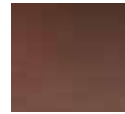


Stainless Steel

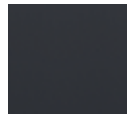
Finish options shown here available for the Demi and Tres fronts.



Pewter



Bronze



Black

Glass Media Options

Accent the firebox with glass. Four cool colors to warm up your flame



Clear (Included)



Black



Cobalt Blue



Amber

Control Options

IntelliFire Plus RC300 incorporates an LCD screen, intuitive menus and large control buttons in a sleek and modern design. This wireless control gives you the flexibility to use it as a remote only or to mount it on the wall anywhere in the room.

Models: RC300-HTL

Features: Auto Battery Backup, Pilot Activation, On/Off, 5 Step Flame Height, Fan Speed (auxiliary 1), two additional Auxiliary Functions, Room Temperature Readout, Thermostat Mode, Timer Mode, Child Lock and Wall Docking Station



IntelliFire Plus RC200 combines an easy-to-use and intuitive control panel with a stylish and ergonomic design. Since it utilizes wireless control, it has the flexibility for wall placement anywhere in the room, or use as a remote only.

Models: RC200-HTL

Features: Auto Battery Backup, Battery Strength Indicator, Pilot Activation, On/Off, 5 Step Flame Height, Fan Speed, Child Lock, and Wall Docking Station



IntelliFire Plus RC100 features a simple, single-mode function and is specifically designed for wall placement, ensuring a great fire is just a tap of the switch away.

Models: RC100-HTL

Features: On/Off



Easy Switch Controls the most basic functions of the fireplace—on/off—in the easiest way possible.

Models: WSK-21-HTI, WSK-21-W-HTI

Features: On/Off



Models Available

MODEL	BTU/HR INPUT(NG)	OPENING SIZE	VENTING	IGNITION SYSTEM	FUEL
NEVO3630I	12,000 - 20,000	30" (762mm)	Direct Vent	IntelliFire Plus	NG (standard) / LP*
NEVO4236I	12,500 - 25,000	36" (914mm)	Direct Vent	IntelliFire Plus	NG (standard) / LP*

*Unit comes standard NG. LP conversion kit required for LP

U.S. Efficiencies

Steady State - Since most homeowners use their fireplaces for an extended time while they are in the room, Steady State measures how efficiently your fireplace converts fuel to heat once it is warmed up and running in a "steady state."

AFUE - AFUE rating is more typically used with appliances, like your furnace, that continually cycle on and off to maintain a constant temperature.

Canada Efficiencies

EnerGuide (CSAP.4.1-02) - EnerGuide is a rating used in Canada to measure annual fireplace efficiency.

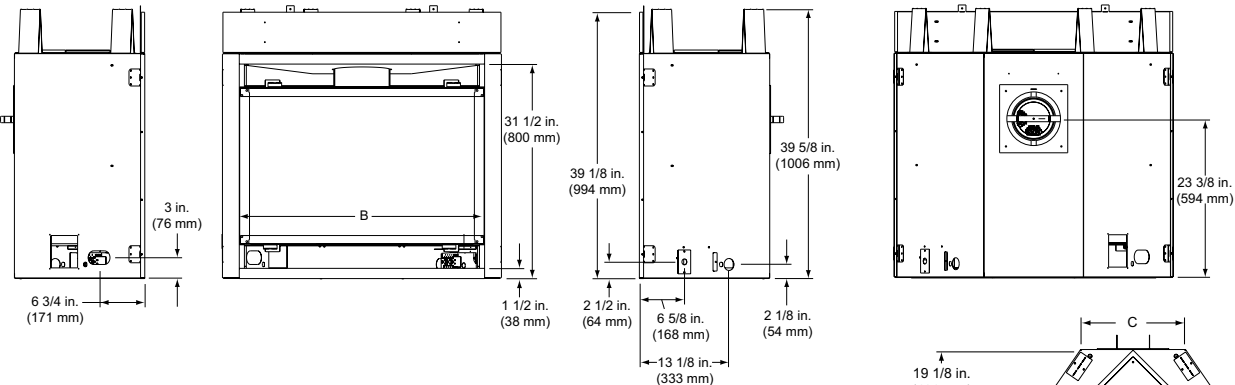
Rating	NEVO4236I	NEVO3630I
Steady State	71%	69%
AFUE	41%	36%

Rating	NEVO4236I	NEVO3630I
EnerGuide (CSAP.4.1-02)	48%	43%

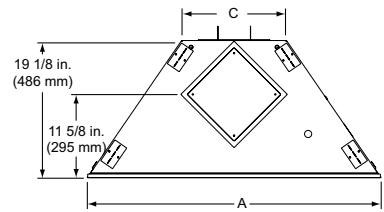
Exceptional Value | Dependability | Most Recognized Brand

Novus Evolution **Technical Specifications**

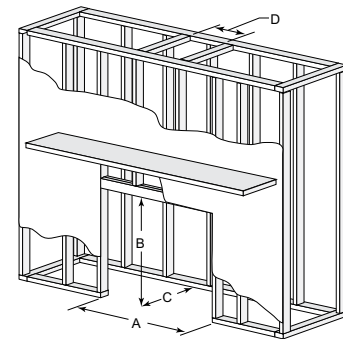
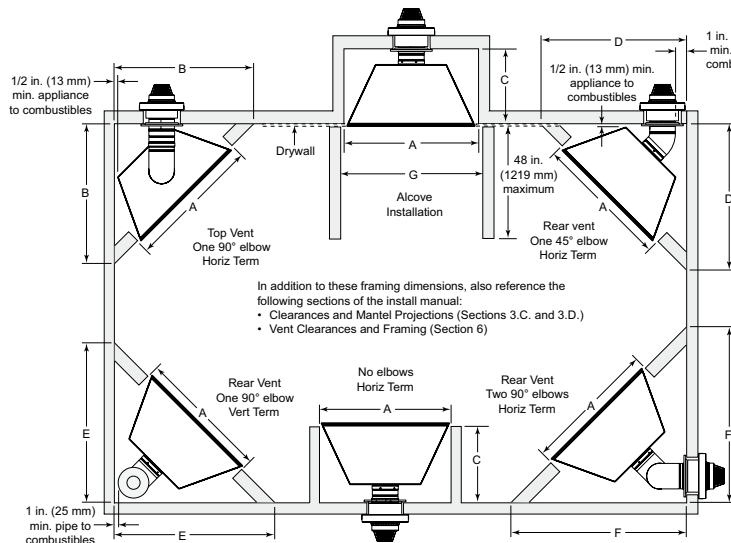
MODEL	HEIGHT	FRONT WIDTH (A)	BACK WIDTH (C)	DEPTH	GLASS SIZE (WIDTH B)
NEVO3630I	39-1/8" (994mm)	35" (889mm)	8-5/8" (219mm)	19-1/8" (486mm)	30"w x 22-3/4"h
NEVO4236I	39-1/8" (994mm)	41" (1041mm)	14-5/8" (371mm)	19-1/8" (486mm)	36"w x 22-3/4"h



MODEL	A	B	C	D	E	F	G
NEVO3630I	36" (914mm)	33-1/2" (851mm)	19-5/8" (498mm)	43-3/8" (1102mm)	47" (1194mm)	53-1/4" (1353mm)	37" (940mm)
NEVO4236I	42" (1067mm)	37-5/8" (956mm)	19-5/8" (498mm)	43-3/8" (1102mm)	47" (1194mm)	53-1/4" (1353mm)	43" (1092mm)



MODEL	A ROUGH OPENING (WIDTH)	B ROUGH OPENING (HEIGHT)	C ROUGH OPENING (DEPTH)	D ROUGH OPENING (DVP PIPE)	D ROUGH OPENING (SLP PIPE)
NEVO3630I	36" (914mm)	39-7/8" (1013mm)	19-5/8" (498mm)	10" (254mm)	9" (229mm)
NEVO4236I	42" (1067mm)	39-7/8" (1013mm)	19-5/8" (498mm)	10" (254mm)	9" (229mm)



The rough framing dimensions shown represent the distance from stud to stud only and do not take into consideration the addition of drywall. Please refer to installation instructions for complete specifications and drawings when installing this product. Go to www.heatilator.com to download.

heatilator[®]
The first name in fireplaces

a brand of *Hearth & Home Technologies Inc.*

1915 West Saunders Street
Mt. Pleasant, Iowa 52641
800-927-6841 | heatilator.com

Canada
ENERGUIDE
Look for the **ENERGUIDE**
Gas Fireplace Energy
Efficiency Rating in this brochure
Based on CSA P4.1-02

AVAILABLE FROM

Limited Lifetime Warranty*

The strongest in the industry, Heatilator provides a limited lifetime warranty on gas-burning products of the most important aspects: firebox and heat exchanger.

The information provided in this literature is for planning purposes only and subject to change. Please consult the installation manual for actual installation. Actual product appearance may differ from product images.
*For full warranty details go to heatilator.com.