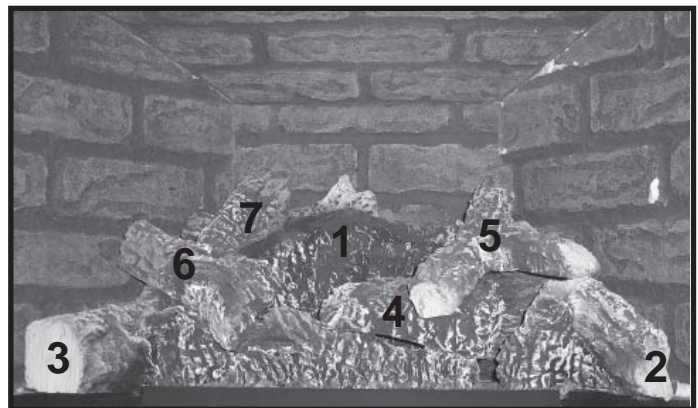


Log Set Assembly



Part number list on following page.

IMPORTANT: THIS IS DATED INFORMATION. When requesting service or replacement parts for your appliance please provide model number and serial number. All parts listed in this manual may be ordered from an authorized dealer.

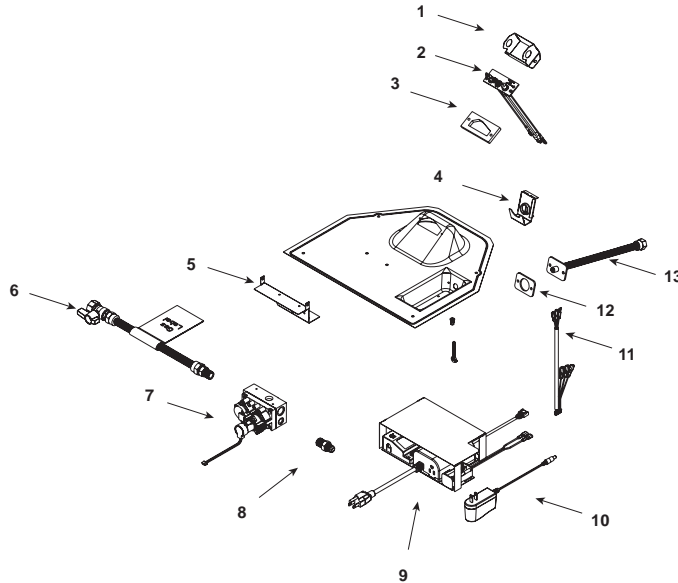


**Stocked
at Depot**

ITEM	DESCRIPTION	COMMENTS	PART NUMBER	
	Log Assembly		4055-975	Y
1	Back Log		SRV4055-965	
2	Bottom Right Log		SRV4055-967	
3	Bottom Left Log		SRV4055-969	
	Log Assembly, Top and Middle		4055-974	Y
4	Middle Right Log		SRV4055-970	
5	Top Right Log		SRV4055-971	
6	Middle Left Log		SRV4055-972	
7	Top Left Log		SRV4055-973	
8	Intake Cover Gasket		25844	
9	Intake Cover Gasket		4031-239	
10	Non Combustible Board		4055-894	
11	Dry Wall Lip		4055-892	
12	Hood		4055-214	
13	Heater Baffle		4055-880	
14	Hearth Pan		4055-873	
15	Valve Assembly NG		4055-845	
16	Glass Latch Assembly		4031-542	Y
17	Screen Assembly		SRV4055-930	Y
18	Floor Cover		4055-273	
19	Burner Assembly NG		4055-882	Y
	Burner Assembly LP		4055-896	Y
20	Gasket Valve Plate		4055-135	
21	Glass Latch Assembly	Qty 4 req	33858	Y
22	Magnetic Touch Latch	Qty 2 req	4021-650	Y
23	Junction Box		4021-013	Y
24	Cover Plate		4031-222	
25	Junction Box Shield		4055-888	
26	Nailing Flange	Qty 4 req	4044-161	
27	Back Gasket		4000-225	
	Cord Clip		14218	
	Refractory, Back		4055-855	
	Refractory, Right Side		4055-859	
	Refractory, Left Side		4055-860	
	Refractory, top		4055-865	
	Installation manual		4055-979	

Additional service parts on following page.

IPI Valve Assembly



IMPORTANT: THIS IS DATED INFORMATION. When requesting service or replacement parts for your appliance please provide model number and serial number. All parts listed in this manual may be ordered from an authorized dealer.



Stocked at Depot

ITEM	DESCRIPTION	COMMENTS	PART NUMBER	
	Valve Assembly NG		4055-845	
	Valve Assembly LP		4055-844	
1	Pilot Shield		4055-899	
2	Pilot Assembly NG		2090-012	Y
	Pilot Assembly LP		2090-013	Y
3	Pilot Gasket		4021-042	
4	Air Shutter Assembly		4055-202	Y
5	Valve Bracket		4055-205	
6	Flex Ball Valve Assembly		302-320A	Y
7	Valve NG		2166-302	Y
	Valve LP		2166-303	Y
8	Male Connector	Pkg of 5	303-315/5	Y
9	Ignition Control Assembly		4055-964	Y
10	Transformer		2166-305	Y
11	Wire Harness		2166-304	Y
12	Gasket, Bulkhead		4021-429	
13	Bulkhead W/Flex Tube		4021-512	Y
	Orifice NG (#39C)		582-839	Y
	Orifice LP (.052C)		582-852	Y
	Conversion Kit NG		DCKVN-NNXT	Y
	Conversion Kit LP		DCKVP-NNXT	Y
	Pilot Orifice NG		593-528	Y
	Pilot Orifice LP		593-527	Y
	Regulator NG		NGK-DXV-50	Y
	Regulator LP		LGK-DXV-50	Y