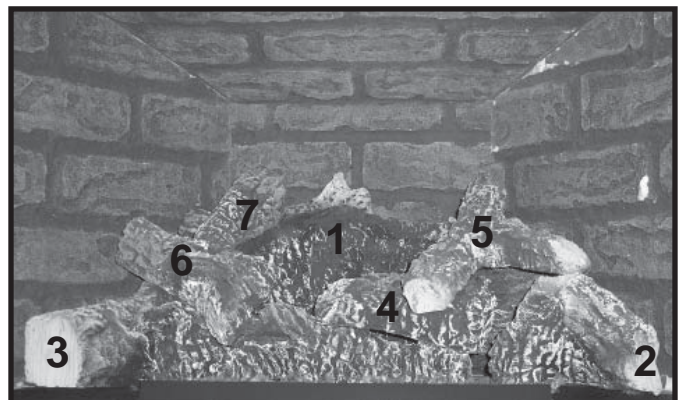


**Log Set Assembly**



Part number list on following page.

IMPORTANT: THIS IS DATED INFORMATION. When requesting service or replacement parts for your appliance please provide model number and serial number. All parts listed in this manual may be ordered from an authorized dealer.

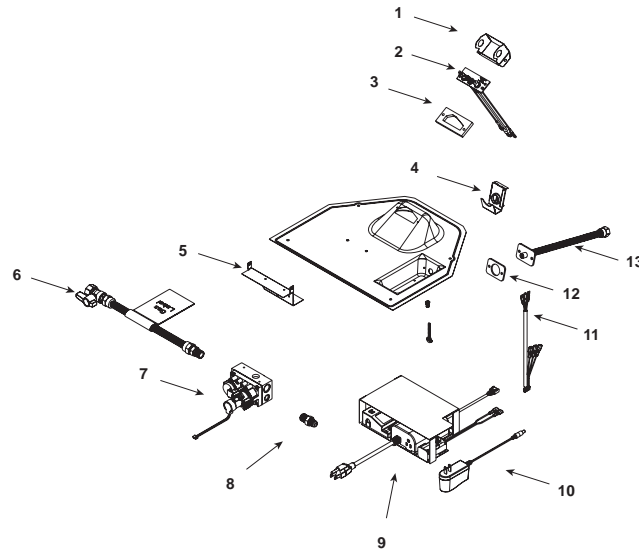


**Stocked  
at Depot**

| ITEM | DESCRIPTION                  | COMMENTS  | PART NUMBER |   |
|------|------------------------------|-----------|-------------|---|
|      | Log Assembly                 |           | 4055-976    | Y |
| 1    | Back Log                     |           | SRV4055-966 |   |
| 2    | Bottom Right Log             |           | SRV4055-967 |   |
| 3    | Bottom Left Log              |           | SRV4055-969 |   |
|      | Log Assembly, Top and Middle |           | 4055-974    | Y |
| 4    | Middle Right Log             |           | SRV4055-970 |   |
| 5    | Top Right Log                |           | SRV4055-971 |   |
| 6    | Middle Left Log              |           | SRV4055-972 |   |
| 7    | Top Left Log                 |           | SRV4055-973 |   |
| 8    | Intake Cover Gasket          |           | 25844       |   |
| 9    | Intake Cover Gasket          |           | 4031-239    |   |
| 10   | Non Combustible Board        |           | 4055-895    |   |
| 11   | Dry Wall Lip                 |           | 4055-893    |   |
| 12   | Hood                         |           | 4055-215    |   |
| 13   | Heater Baffle                |           | 4055-881    |   |
| 14   | Hearth Pan                   |           | 4055-874    |   |
| 15   | Valve Assembly NG            |           | 4055-845    |   |
| 16   | Glass Frame Assembly         |           | 4000-307    | Y |
| 17   | Screen Assembly              |           | SRV4055-931 | Y |
| 18   | Floor Cover                  |           | 4055-274    |   |
| 19   | Burner Assembly NG           |           | 4055-882    | Y |
|      | Burner Assembly LP           |           | 4055-896    | Y |
| 20   | Gasket Valve Plate           |           | 4055-135    |   |
| 21   | Glass Latch Assembly         | Qty 4 req | 33858       | Y |
| 22   | Magnetic Touch Latch         | Qty 2 req | 4021-650    | Y |
| 23   | Junction Box                 |           | 4021-013    | Y |
| 24   | Cover Plate                  |           | 4031-222    |   |
| 25   | Junction Box Shield          |           | 4055-888    |   |
| 26   | Nailing Flange               | Qty 4 req | 4044-161    |   |
| 27   | Back Gasket                  |           | 4000-225    |   |
|      |                              |           |             |   |
|      | Cord Clip                    |           | 14218       |   |
|      | Refractory, Back             |           | 4055-856    |   |
|      | Refractory, Right Side       |           | 4055-859    |   |
|      | Refractory, Left Side        |           | 4055-860    |   |
|      | Refractory, Top              |           | 4055-866    |   |
|      |                              |           |             |   |
|      | Installation Manual          |           | 4055-879    |   |

Additional service parts on following page.

**IPI Valve Assembly**



IMPORTANT: THIS IS DATED INFORMATION. When requesting service or replacement parts for your appliance please provide model number and serial number. All parts listed in this manual may be ordered from an authorized dealer.



**Stocked  
at Depot**

| ITEM | DESCRIPTION               | COMMENTS | PART NUMBER |   |
|------|---------------------------|----------|-------------|---|
|      | Valve Assembly NG         |          | 4055-845    |   |
|      | Valve Assembly LP         |          | 4055-844    |   |
| 1    | Pilot Shield              |          | 4055-899    |   |
| 2    | Pilot Assembly NG         |          | 2090-012    | Y |
|      | Pilot Assembly LP         |          | 2090-013    | Y |
| 3    | Pilot Gasket              |          | 4021-042    |   |
| 4    | Air Shutter Assembly      |          | 4055-202    | Y |
| 5    | Valve Bracket             |          | 4055-205    |   |
| 6    | Flex Ball Valve Assembly  |          | 302-320A    | Y |
| 7    | Valve NG                  |          | 2166-302    | Y |
|      | Valve LP                  |          | 2166-303    | Y |
| 8    | Male Connector            | Pkg of 5 | 303-315/5   | Y |
| 9    | Ignition Control Assembly |          | 4055-964    | Y |
| 10   | Transformer               |          | 2166-305    | Y |
| 11   | Wire Harness              |          | 2166-304    | Y |
| 12   | Gasket, Bulkhead          |          | 4021-429    |   |
| 13   | Bulkhead W/Flex Tube      |          | 4021-512    | Y |
|      | Orifice NG (#39C)         |          | 582-839     | Y |
|      | Orifice LP (.052C)        |          | 582-852     | Y |
|      | Conversion Kit NG         |          | DCKVN-NNXT  | Y |
|      | Conversion Kit LP         |          | DCKVP-NNXT  | Y |
|      | Pilot Orifice NG          |          | 593-528     | Y |
|      | Pilot Orifice LP          |          | 593-527     | Y |
|      | Regulator NG              |          | NGK-DXV-50  | Y |
|      | Regulator LP              |          | LGK-DXV-50  | Y |