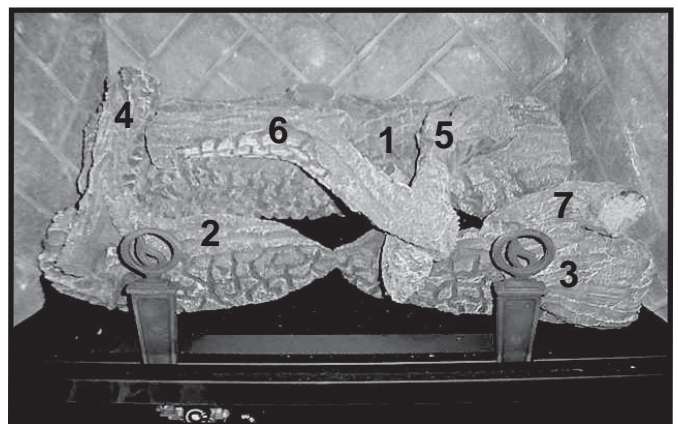


Log Set Assembly



Part number list on following page.

IMPORTANT: THIS IS DATED INFORMATION. When requesting service or replacement parts for your appliance please provide model number and serial number. All parts listed in this manual may be ordered from an authorized dealer.

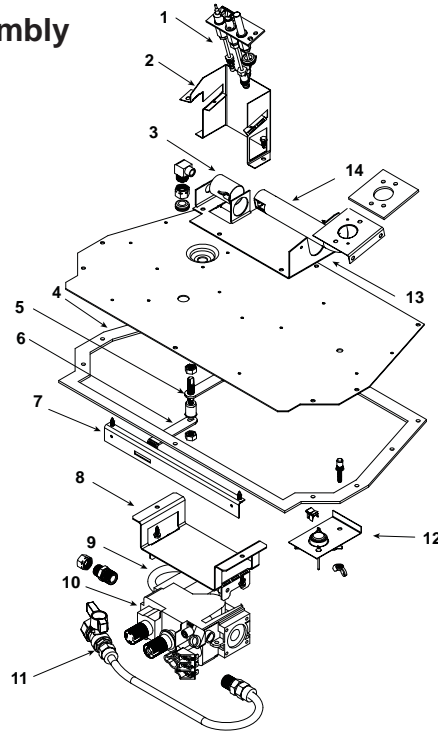


**Stocked
at Depot**

ITEM	DESCRIPTION	COMMENTS	PART NUMBER	
	Log Set Assembly		LOGS-ADI60	Y
1	Log 1		SRV340-701	
2	Log 2		SRV340-702	
3	Log 3		SRV340-703	
4	Log 4		SRV340-704	
5	Log 5		SRV340-706	
6	Log 6		SRV340-705	
7	Log 7		SRV740-707	
8	Fireplace Termination Assembly		319-213A	
9	Refractory Kit		BRICK-ADI60	
10	Burner		349-176A	Y
11	Grate Assembly		327-360A	
12	Base Pan		349-124	
13	On/Off Rheostat		319-510A	Y
14	Control Panel		319-129	
15	Flame Control Knob		571-533	Y
16	Piezo Ignitor		291-513	Y
17	Glass Door Assembly		GLA-349	Y
18	Pilot Control Knob		571-534	Y
19	Rheostat Knob		100-512	Y
20	Blower		GFK-160A	
21	Junction Box		040-250A	Y
	Flex Pipe Handle		438-351	
	Glass Latch Assembly		386-122A	Y
	Lava Rock		705-420	
	Mineral Wool		050-721	
	Pilot Tube		SRV485-301	Y
	Thermocouple		2103-511	Y
	Thermopile		2103-512	Y
	Touch Up Paint		TUP-GBK-12	
	Conversion Kit NG		NGKS-ADI60	Y
	Conversion Kit LP		LPKS-ADI60	Y
	Pilot Orifice NG		2103-116	Y
	Pilot Orifice LP		2103-117	Y
	Regulator NG		230-1570	Y
	Regulator LP		230-1520	Y

Additional service part numbers appear on following page.

Standing Pilot Valve Assembly



IMPORTANT: THIS IS DATED INFORMATION. When requesting service or replacement parts for your appliance please provide model number and serial number. All parts listed in this manual may be ordered from an authorized dealer.



Stocked at Depot

ITEM	DESCRIPTION	COMMENTS	PART NUMBER	
1	Pilot Assembly NG		2103-010	Y
	Pilot Assembly LP		2103-011	Y
2	Pilot Bracket		319-164	
3	Shutter Bracket Assembly		2026-130	Y
4	Valve Plate Gasket		319-401	
5	Top Handle		319-170	
6	Bottom Handle		319-168	
7	Bracket		319-120	
8	Valve Bracket		319-146	
9	Flexible Gas Connector		477-301A	Y
10	Valve NG		230-0710	Y
	Valve LP		230-0720	Y
11	Flex Ball Valve Assembly		531-320A	Y
12	Temp Sensor Switch		046-018A	Y
13	Bracket: Burner Support		319-166	
14	Burner Neck		319-336	Y
	Wire Assembly		2020-069	Y
	Orifice NG (#35C)		582-835	Y
	Orifice LP (#52C)		582-852	Y