

INSTALLATION INSTRUCTIONS FOR BARRIER SCREEN KIT FOR USE WITH MODELS RAVENNA™, MEDINA™ AND SDVI DV GAS FIREPLACE INSERTS

MERIT™ SERIES

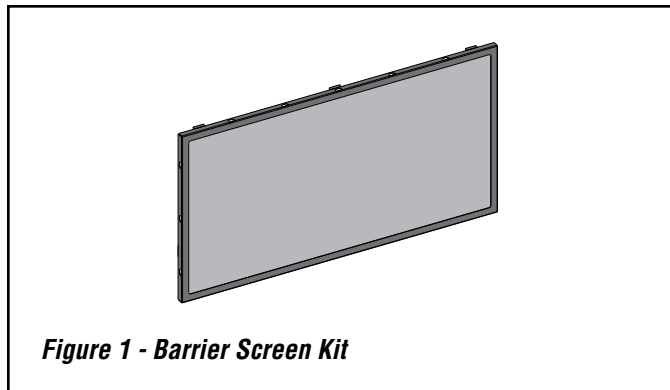
ELITE™ SERIES

SUPERIOR™

KIT CONTENTS

- 1 ea. Barrier Screen
- 1 ea. Instruction Sheet

Cat. No.	Model	Description
H7726	MED/SDVI-BS	Barrier Screen Kit, Medina and SDVI
H7722	RDV-BS	Barrier Screen Kit, Ravenna



TOOLS REQUIRED

None

GENERAL INFORMATION

If you encounter any problems, need clarification of these instructions or are not qualified to properly install this kit, contact your local distributor or dealer.

Read this instruction sheet in its entirety before beginning the installation.

All of these parts may scratch and bend, great care should be used in handling them.

ALL WARNINGS AND PRECAUTIONS IN THE INSTALLATION AND OPERATION MANUAL PROVIDED WITH THE APPLIANCE APPLY TO THESE INSTRUCTIONS.

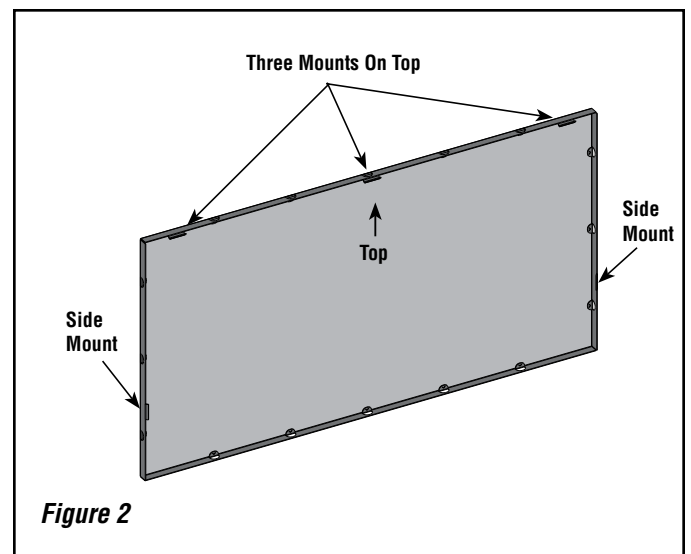
TURN OFF THE APPLIANCE AND ALLOW IT TO COMPLETELY COOL BEFORE PROCEEDING.

INSTALLATION INSTRUCTIONS

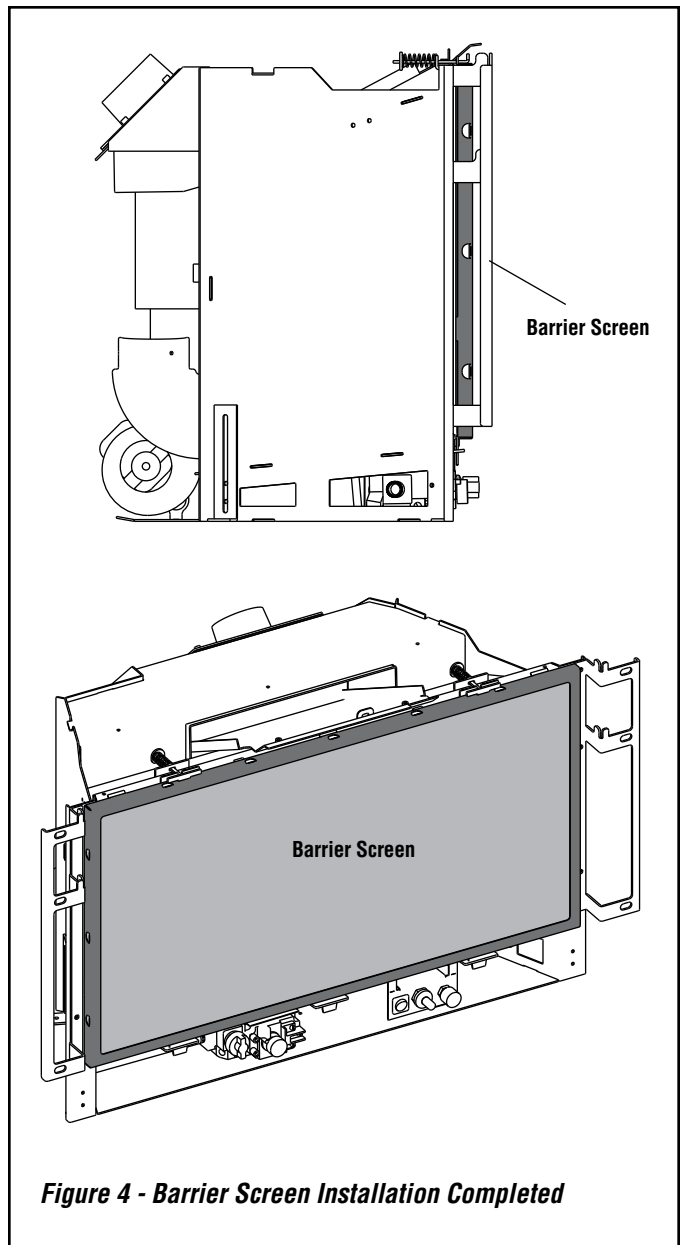
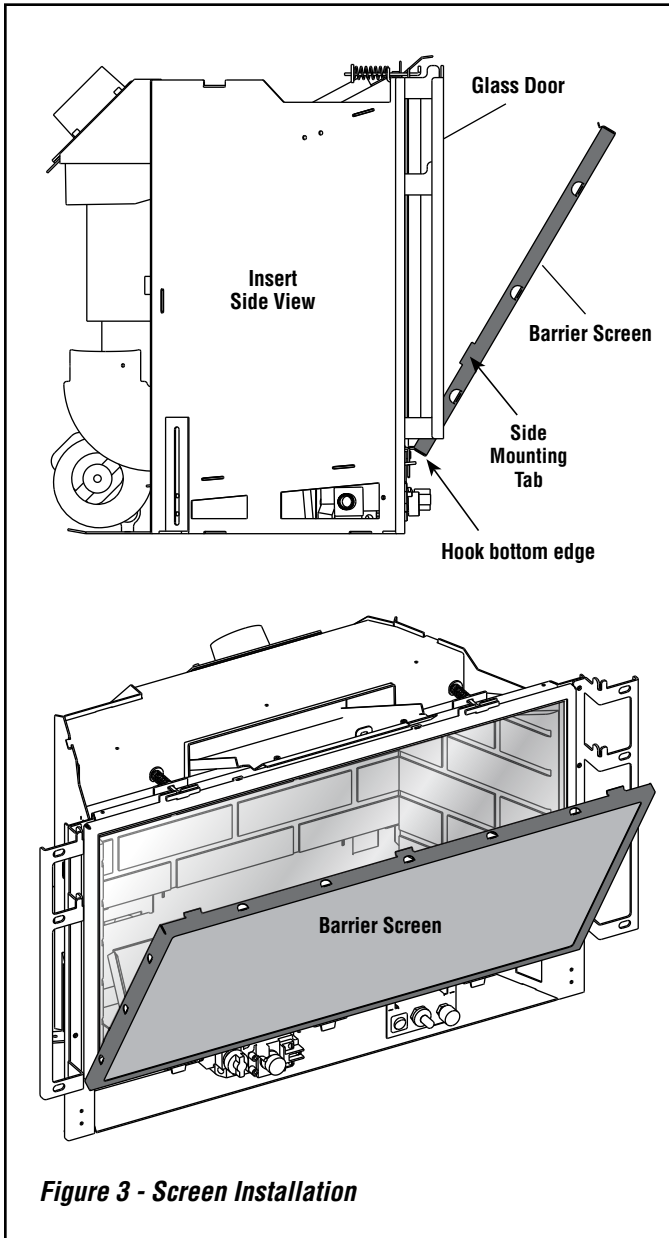
Step 1. Remove the barrier screen from the packaging.

Step 2. If an accessory face is installed on the unit, lift up on the face and remove from the unit before proceeding with the barrier screen installation. For detailed instructions on removing a specific accessory face, please refer to the instruction sheet that was supplied with the face.

Step 3. The barrier screen is designed to snap over the outside of the glass door frame. There are three mounts on the top of the barrier screen, and one more on the left and right side. Take note to which end is the top and which end is the bottom of the screen. See *Figure 2*.



Step 4. Place the barrier screen over the glass door, making sure to hook the bottom edge first, then the side mounts, and finally snap the top mounts into place. Ensure the barrier screen is fully seated against the glass door frame before proceeding to the next step. See **Figures 3 and 4.**



Step 5. Reinstall face assembly.

NOTE: DIAGRAMS & ILLUSTRATIONS ARE NOT TO SCALE.

Lennox™ reserves the right to make changes at any time, without notice, in design, materials, specifications, prices and also to discontinue colors, styles and products. Consult your local distributor for fireplace code information.