

Twilight™ – The World's First Indoor/Outdoor See-thru Fireplace

TWILIGHT...ENJOY IT YEAR-ROUND, INSIDE OR OUT.

Enjoy your fireplace from your family room and patio simultaneously, any time of the year. Heat-N-Glo LifeStyle's Twilight is the world's first and only indoor/outdoor see-thru fireplace. This gas direct-vent model was tested as both a fireplace and a window, assuring you years of great, carefree performance regardless of the weather.

Product Specifications:

- 37,800 BTU's/hr. input provides generous flames and heat output
- High thermal efficiency
- "Invisible" vent
- Physical barrier separates inside & outside
- Ceramic fiber campfire logs & firebox refractory
- Two-sided view offers a spectacular site - inside and out
- No venting required - offers installation versatility and a clean outside appearance
- Sealed combustion chamber works in a negative pressure situation to eliminate cold drafts
- Completely weather proof to protect the outside portion from the elements
- Safety tested
- Optional remote control
- UL Listed
- Approved for use in screened porches
- Patented technology
- Eternal Flame Warranty*



Inside looking out

TWILIGHT LOOKS GREAT AND PERFORMS GREAT WHETHER YOU'RE INSIDE OR OUT.

*The strongest in the industry, Heat-N-Glo's eternal Flame Warranty offers full protection for all gas units, and includes a lifetime warranty on the most important aspects of the fireplace: fiber logs, stainless steel burner, firebox and heat exchanger.

Twilight™ – Specification Information



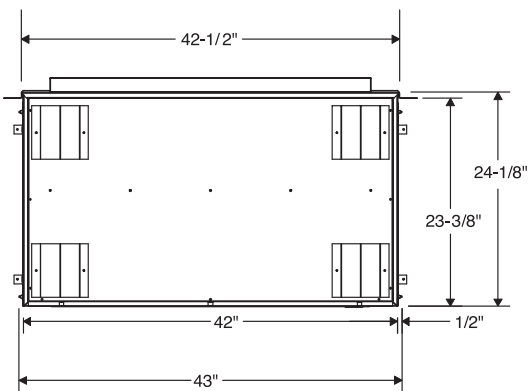
Outside looking in

TWILIGHT OFFERS THE BEAUTY OF ONE FIREPLACE IN TWO ROOMS

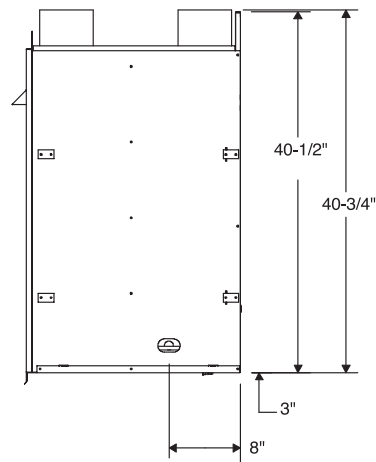
MODEL	HEIGHT	WIDTH	DEPTH
Twilight (Framing Dimentions)	41-1/4"	44"	22-7/8"
Glass Size	22"	34"	-

* Refer to installation manual for detailed specifications on installing this product.

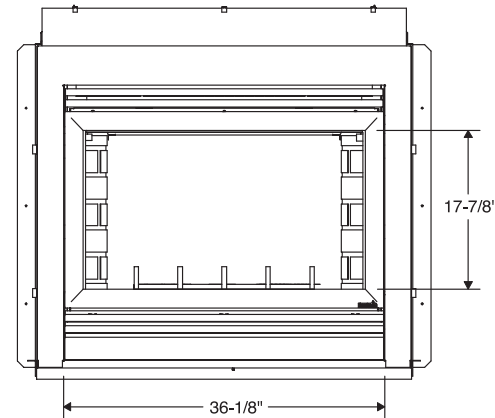
TOP



LEFT SIDE



FRONT



RIGHT SIDE

