



Accelerator

Woodburning Fireplaces

heatilator
The first name in fireplaces

Accelerator

Woodburning Fireplaces



Exceptional Value and a Choice of Sizes and Features

- **Two firebox opening sizes** (36" and 42") give more options and price selections.
- Choice of **heat circulating or radiant versions**.
- **Substantial firebox depth** (19^{3/4}") provides greater visual hearth area.
- **Powder coat finish** has a deep, solid luster, the look of meticulous craftsmanship, and is resistant to abuse.
- The circulating design allows the addition of a **broad range of optional trim and performance accessories**.
- **Full refractory lining, integral steel grate and safety fire screen** provide a true masonry fireplace appearance.
- **Dual gas knockouts** allow for easy installation of gas log sets and gas log lighters.
- Tested and listed to **U.L. safety standards**.
- Covered by **Heatilator 20-Year Buyer Protection Plan**.

Certifications/General Considerations

- When selecting a location for your Accelerator fireplace, it is important to evaluate a number of considerations. Please consult with your dealer or sales representative to determine the best location for your Accelerator fireplace.
- The rough framing dimensions shown represent the distance from stud to stud only and do not take into consideration the addition of sheetrock/drywall.
- Consult local building codes for local installation and operational guidelines.
- For best results, do not construct the framing until the unit is in place.
- A hearth extension is required.

Venting

- Use of Heatilator SL300 Series venting and accessories is required.
- Consult installation manual for complete venting specifications.

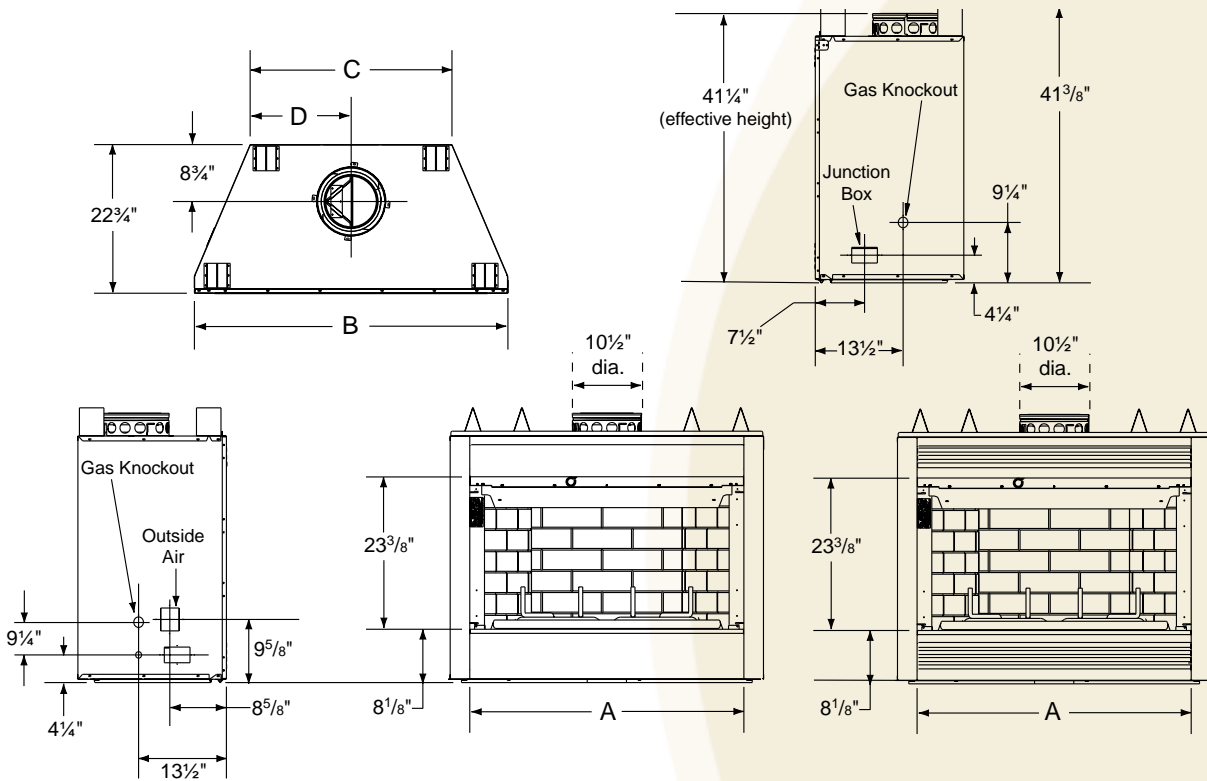
Finishing Materials

- When finishing Accelerator, combustible material may be brought up to the sides of the fireplace but must never overlap the black area. The black metal may be completely covered with noncombustible material only, such as marble, tile, stone, etc.

PRODUCT, FRAMING & CLEARANCE DIMENSIONS

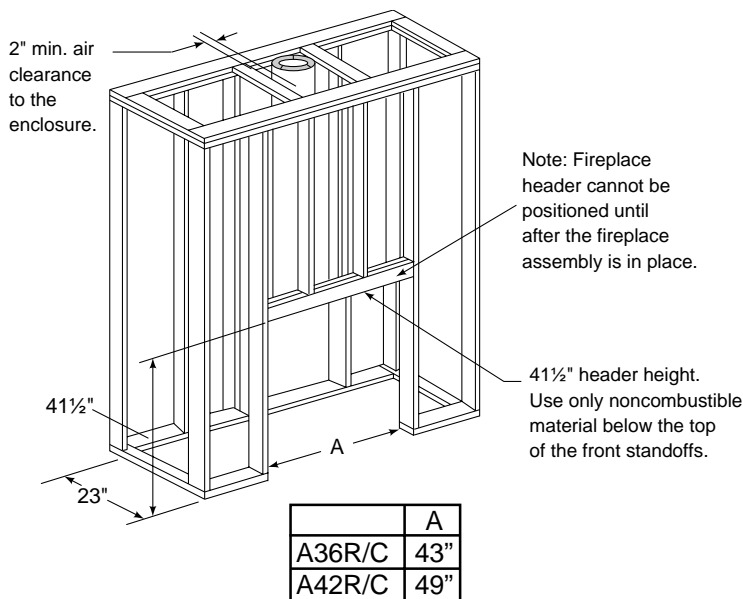
This information is for planning purposes only. Please refer to installation instructions when installing this product.

Product Dimensions



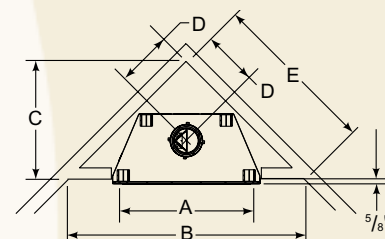
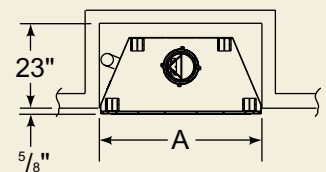
	A	B	C	D
A36R/C	36"	42"	24 7/8"	12 1/2"
A42R/C	42"	48"	30 7/8"	15 1/2"

Framing Dimensions



Fireplace Clearances

	With Outside Air	Without Outside Air
	A	A
A36	47"	43"
A42	53"	49"



With or Without Outside Air




	A	B	C	D	E
A36R	43"	71 1/2"	35 3/4"	15 3/4"	50 5/8"
A36C	43"	74"	37"	15 7/8"	52 1/4"
A42R	49"	77 1/2"	38 7/8"	18"	54 7/8"
A42C	49"	77 1/2"	38 7/8"	18"	54 7/8"

Accelerator

Woodburning Fireplaces

MODELS AND OPTIONS

Models

Opening Size	Model #	Radiant	Circulating
36"	A36R		
36"	A36C		
42"	A42R		
42"	A42C		

Options



Briarwood Gas Logs



Charwood Gas Logs



Mistwood Gas Logs



Versawood Gas Logs

Options Not Shown

Outside air kit AK22

4" Insulated flex duct ID4

4" Uninsulated flex duct UD4

Fan Kit FK23

(for circulating versions only)

Fan Motor Rheostat BC10

Chimney air kit CAK4A

Trim Kits (for circulating versions only)

Polished brass trim kit TK301B/TK401B

Polished brass grille trim kit TK6B/TK7B

Stainless steel grille trim kit TK6S/TK7S

Mantels & Surrounds See MSRP book for complete selection



DM Doors
DM1736/B/S
DM1742/B/S



DP Doors
DP1736/B/S
DP1742/B/S

Venting Accessories

SL300 Series See MSRP book for complete selection

AVAILABLE FROM

heatilator[®]
The first name in fireplaces

a brand of Hearth & Home Technologies Inc.

1915 West Saunders Street • Mt. Pleasant, Iowa 52641

800-927-6841 • fax 800-259-1549 • heatilator.com

Heatilator is a registered trademark of Hearth & Home Technologies Inc. Specifications and options are subject to change.