

WARMTH YOU CAN SEE




BIS
Panorama

*A higher standard
of energy efficiency,
aesthetic appeal and
reliable performance,
even during a
power failure.*



STANDARD FEATURES

- The vertical design of the door together with the herringbone refractory brick gives a spectacular view of the fire
- Airtight combustion chamber for maximum efficiency and highest heat output
- Easy access to combustion controls
- Single cast iron door available in black or plated 24-carat gold
- Super efficient air wash system keeps the viewing glass clean
- Dual handle ash drawer with lid for easy removal of ashes without any mess
- Easy access flue gas by-pass system
- Decorative log retainers
- Knock-out sides and back for easy connection to forced air system
- Outside air kit

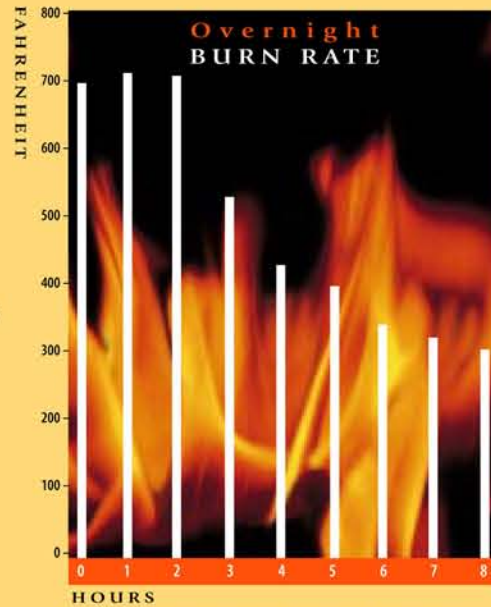
SPECIFICATIONS

- Zero clearance to combustible materials
- Maximum efficiency 72%
- Btu/hr. 11,400 to 38,200 as per the Environmental Protection Agency (EPA) standard testing procedures
- Maximum Btu output up to 70,000 Btu/hr. obtained with dry hardwood
- Chimney 7" ASHT+, S-2100+ and air cooled
- Masonry installation with TUBINOX rigid stainless steel liner (option)
- Burn time up to 8 hrs. (depending on the wood used)
- Firebox capacity overall, 3.6 cubic feet
- Log size 18"
- Efficient catalytic combustion
- Warnock Hersey approved to ULC S610 and UL 127 standards
- EPA approved 4.0 gr/hr.

OPTIONS

- Gravity Kits
 - Double duct in brass or black
 - Single duct in brass or black
- Forced air heating kit for furnace hook-up (not EPA approved)
- Clean face option

Engineered with a secondary burn and catalytic combustion for burn-off gases, the BIS Panorama offers maximum energy efficiency while consuming the least amount of fuel. It's an investment that virtually pays for itself over time.



The design of the BIS Panorama is an inspirational balance of form and function.

1. Single door provides an unobstructed panoramic view of the flames.
2. Dual handle ash drawer with lid.
3. Air intake lever allows better combustion control, producing from 10,000 to 70,000 Btu/hr.
4. By-pass control overrides the catalyst combustor restrictive passageway when opening the door



Diamante



Del Sol

Decorate distinctively!

Choose one of four different face and base plates to complement any style of home. Also available are the top and bottom louvers without any design. Model number is the STRADA.



Luna



Fiori

THE BIS PANORAMA'S UNIQUE SINGLE DOOR FEATURE PRESENTS A STRIKING, UNOBSTRUCTED VIEW OF THE FLAMES. THIS ELEGANT WOOD BURNING FIREPLACE HAS A HIGHER STANDARD OF ENERGY EFFICIENCY WHILE BEING A MORE ENVIRONMENTALLY FRIENDLY EPA-APPROVED UNIT. IT DELIVERS MORE HEAT AND PERFORMS BETTER THAN ANY SIMILAR FIREPLACE ON THE MARKET. THE BIS PANORAMA CAN DELIVER AS MUCH AS 70,000 BTU/HR. OF HEAT AND A BURN TIME OF UP TO 8 HOURS. YOU CAN THEREFORE RELY ON IT TO WARM AN AREA IN YOUR HOME OF UP TO 2,500 SQ. FT. (YOU CAN EVEN CONNECT IT TO YOUR FORCED-AIR HEATING SYSTEM FOR ADDED COMFORT AND PEACE OF MIND*). EMBRACE THE TECHNICAL AND AESTHETIC SUPERIORITY OF THE BIS PANORAMA AND WATCH IT CREATE A WHOLE NEW DIMENSION OF WARMTH AND BEAUTY IN YOUR HOME ENVIRONMENT.

*Not EPA approved.

CATALYTIC COMBUSTION

The BIS Panorama's catalytic combustion helps increase efficiency and save energy, resulting in the least expensive heat you can buy

- Produces more heat using less wood
- Enables you to obtain longer burn times for easier heating through the night
- Reduces creosote build-up up to 90%, thereby greatly minimizing a major cause of chimney fires
- Reduces smoke pollutants by 90% (95% when burning at peak efficiency), for optimum environmental friendliness



Victorian Gold

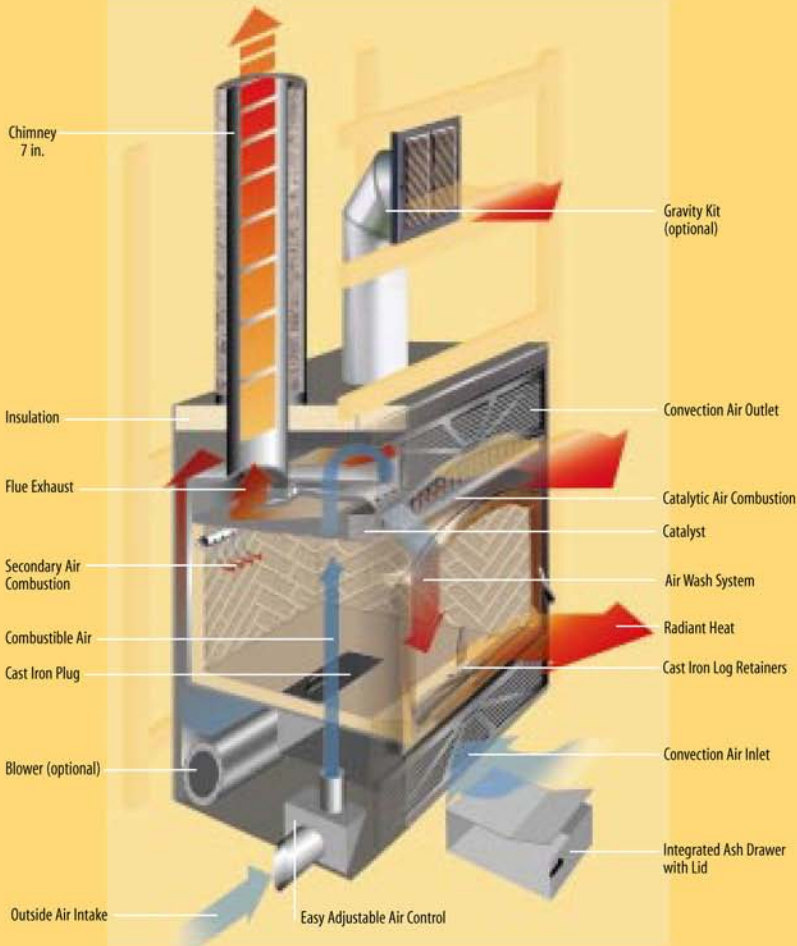
Victorian Black

Victorian arch cast iron doors (24 kt. gold or black), designed to complement today's most attractive homes.

DISCOVER THE POSSIBILITIES



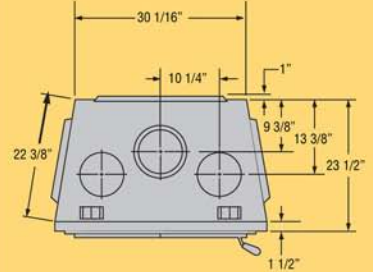
ENGINEERED TO BE THE BEST



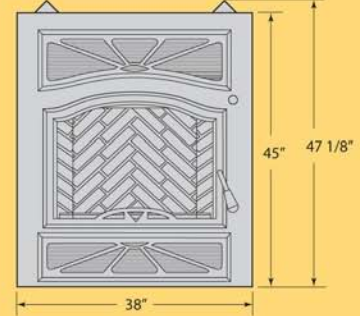
CATALYTIC COMBUSTION

- The BIS Panorama is equipped with a catalytic combustor that reduces pollution emissions and creosote build-up while improving thermal efficiency.
- Unburned by-products of the wood fire are burned at lower temperatures as they pass through the catalytic combustor, resulting in less pollution and more heat available to warm up your home.

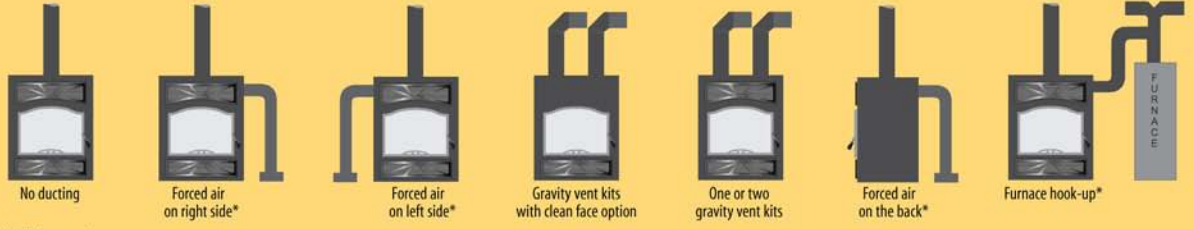
TOP VIEW



FRONT VIEW



Thanks to a versatile venting system, the BIS PANORAMA can be connected in a variety of venting configurations. In fact, the BIS PANORAMA can be set up in any area of your home, whether upstairs, downstairs or both.



*Not EPA approved.

SECURITY CHIMNEYS INTERNATIONAL

Security Chimneys International Ltd.
2125 Monterey, Laval (Quebec)
Canada, H7L 3T6
Tel.: (450) 973-9999 Fax: (450) 973-2222



Security Chimneys International is certified ISO 9001, your guarantee of quality and satisfaction for years to come.

Printed in Canada
ABISPAN
03-2002
REV: 1

Authorized Dealer