

**ICON Series**



*1100 Woodburning Fireplace*

*Only Heatilator could  
bring you a fireplace  
this impressive*

*Shown with optional Anniversary  
Edition vintage iron bifold doors*

### **Standard Features**

- *The industry's largest woodburning fireplace with a full 50" wide by 33" tall opening, the Icon 100 is truly a statement, a symbol of your success!*
- *Clean face design allows finishing materials to be applied right up to the edge of the firebox opening for the appearance of a masonry fireplace. No visible black steel!*
- *Low profile smoke shield increases the visual opening, maximizing viewing pleasure.*
- *Icon refractory lining color and texture deliver the most convincing masonry look available in a factory-built fireplace today; refractory patterns available in traditional brick and new herringbone patterns.*
- *Factory-installed dual outside air kits utilize outside air for combustion.*
- *Designed for maximum drafting performance.*
- *Integral square bar steel grate and safety fire screen provide a masonry fireplace appearance.*
- *Consult local building codes for local installations and operational guidelines.*
- *UL tested and listed for assurance of safety and quality.*
- *Heatilator 20-year Buyer Protection Plan.*

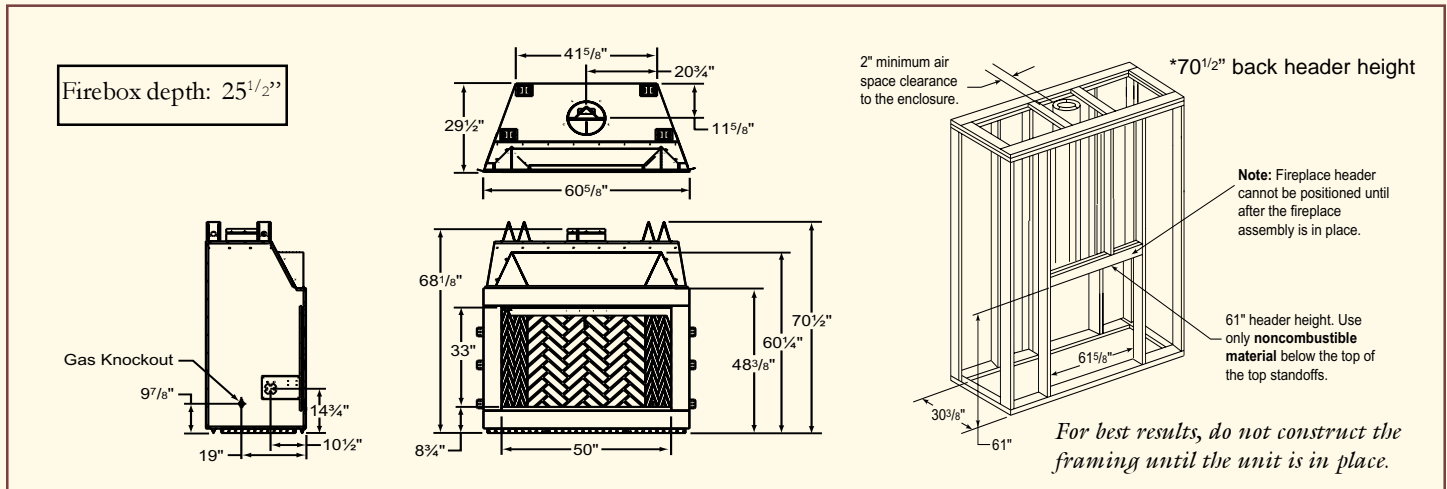
*To learn more about  
Heatilator products,  
visit us at  
[heatilator.com](http://heatilator.com)*

**heatilator**  
*The first name in fireplaces*

## Finishing Materials

When finishing the Icon 100, combustible material may be brought up to the sides of the fireplace but must never overlap the black area or be placed below the front standoffs. The black metal may be covered with noncombustible material only such as marble, tile, stone, etc. Only noncombustible material may be placed below the top edge of the front header.

## Unit and Framing Dimensions



- Minimum mantel height - 20" above the fireplace opening.
- Maximum mantel protrusion - 12"
- Chimney sections at any level require a 2" minimum air space clearance between the framing and chimney section.
- Minimum clearances: Top of standoffs - 0"; Floor - 0"
- A minimum of 1-1/2" air clearance must be maintained between the I100 and the wall, except at the nailing flange where the clearance is 1/2".
- Uses Heatilator SL1100 Series chimney components.

## Models Available

- I100T** 50" wide premium woodburning fireplace, traditional refractory  
**I100H** 50" wide premium woodburning fireplace, herringbone refractory

## Options Available



**AED100**  
*Anniversary Edition operable bi-fold glass doors*

**AES100**  
**Anniversary Edition Surround**  
*Red oak mission-style surround, stained and laquered*



- DM100** Operable bi-fold glass doors, black finish (not pictured)  
**DM100B** Operable bi-fold glass doors, polished brass finish (not pictured)  
**DM100S** Operable bi-fold glass doors, stainless steel finish (not pictured)

## Available From



Hearth Technologies Inc.  
 1915 W. Saunders St. • Mt. Pleasant, IA 52641  
 800-927-6841 • heatilator.com • fireplaces.com  
 HEATILATOR is a registered trademark of Hearth Technologies Inc.  
 This information is provided for planning purposes only. Please refer to installation instructions when installing this product.