

## OPTIONS



*Real Wood Elite Series  
Gas Logs*



*Dynasty Series Gas Logs*



*Imperial Series Gas Logs*

# SC60



*Heat Circulating*

**Woodburning Fireplace**

*Shown with optional AT1936B gasketed air control door and optional TKSCB four-piece grille trim kit*

### STANDARD FEATURES

- Features exceptional heating capacity of 70,000 Btu's.
- Circulating design for maximum heat distribution.
- Popular grille design with added "flare."
- Standard 160 CFM fan with blower control. Fan system directly connects to stainless steel Heat Tubes for added heat output.
- Firebox assembly is fully insulated and comes standard with firebrick lining and outside air kit.
- Ability to control combustion rate and heat output via the air kit and flue damper assemblies.
- Large viewing area with 36" wide x 19<sup>1</sup>/<sub>8</sub>" tall opening.
- Dual gas knockouts for easy installation of gas logs.
- Uses economical SL300 air-cooled, snap-lock chimney system for easy, inexpensive installation.
- Tested and Listed to UL Safety Standards; 20-year Buyer Protection Plan.

*To learn more about Heatilator  
and the products we  
offer you, visit us at  
[heatilator.com](http://heatilator.com)*

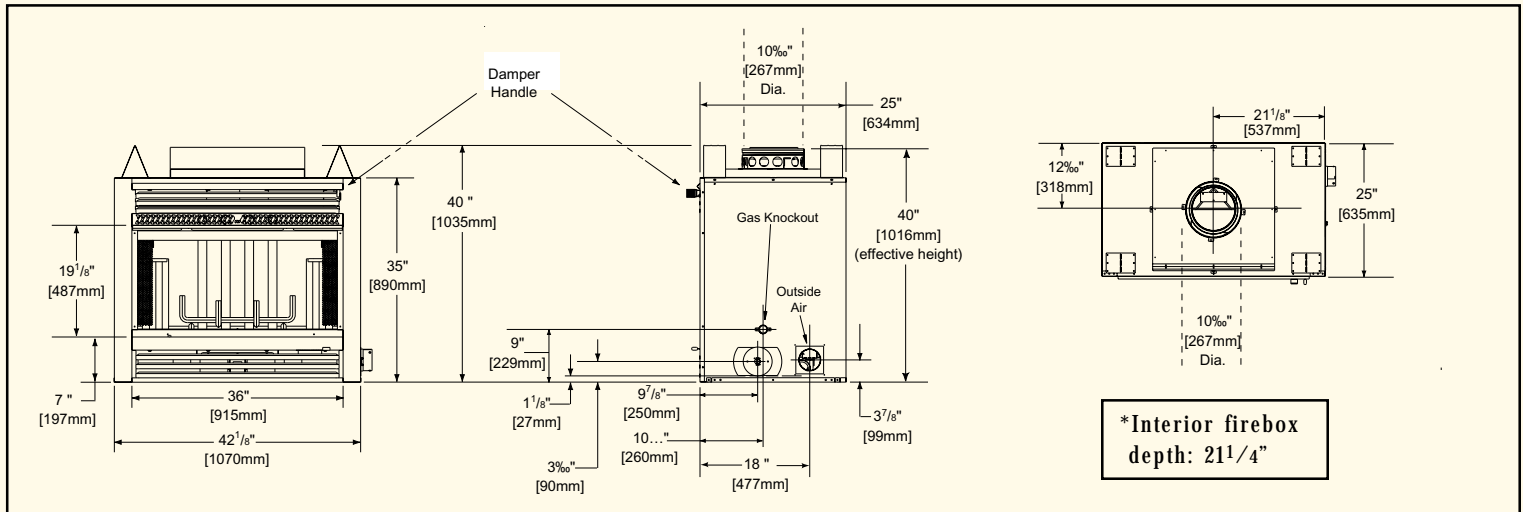
**heatilator**<sup>®</sup>  
*The first name in fireplaces*

## FINISHING MATERIALS

When finishing the SC60, combustible material may be brought up to the sides of the fireplace but must never overlap the black area. The black metal may be covered with noncombustible material only, such as marble, tile, stone, etc.

**Warning: You cannot cover any of the grilles on this unit as this may create a fire hazard.**

## UNIT AND FRAMING DIMENSIONS



## ROUGH FRAMING DIMENSIONS

SC60 - width - 43 1/4"; height - 41 1/4"; cavity depth - 25 3/4"

## CLEARANCES TO SURROUND/COMBUSTIBLES

Minimum mantle height - 16" above fireplace opening  
 Minimum clearances - top of standoffs - 0"; Floor - 0"; Back and sides of fireplace - 1/2"

## HEARTH EXTENSIONS

- The hearth extension must measure a minimum of 52" x 16", covering the area directly in front of the firebox opening.
- Gaps must be sealed with noncombustible material.

## GENERAL CONSIDERATIONS

- Consult local building codes for local installation and operational guidelines.
- The rough framing dimensions shown above represent the distance from stud to stud only and do not take into consideration the addition of sheetrock/drywall.
- For best results, do not construct the framing until the unit is in place.

## SIDEWALLS/SURROUND CLEARANCES

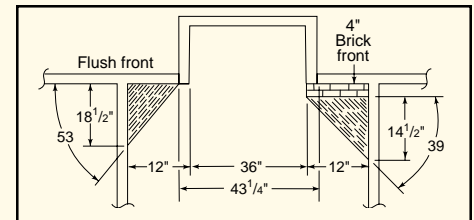
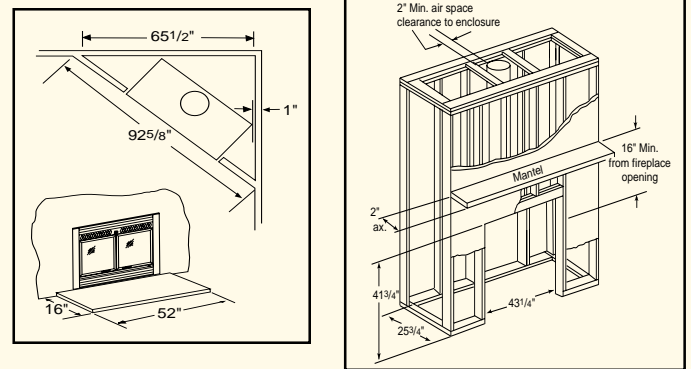
Sidewalls constructed of combustible material must be located a minimum of 12" from the fireplace opening. If a decorative surround constructed of combustible material is used, it must be located within the shaded area indicated in the adjacent figure. Short stub walls are also acceptable if they are contained within the shaded area.

## VENTING SPECIFICATIONS

SL300 Series Pipe: 8" inner diameter pipe; 10 1/2" outer diameter pipe; clearance to outer pipe: 2"

## MODEL AVAILABLE

SC60 36" heat circulating woodburning fireplace



## OPTIONS NOT SHOWN

- AT1936 Gasketed air control door, black
- DM1936B Original bi-fold glass door, polished brass
- CAK4A Outside air kit

Available From



Hearth & Home Technologies Inc.  
 1915 W. Saunders St. • Mt. Pleasant, IA 52641  
 800-843-2848 • 800-259-1549 fax • For consumer info: 800-927-6841  
 heatilator.com • fireplaces.com  
 HEATILATOR is a registered trademark of Hearth & Home Technologies Inc.  
 This information is provided for planning purposes only. Please refer to installation instructions when installing this product.