

*Wood  
Designer  
Series*

Woodburning Fireplaces

*It isn't  
home w i t h o u t  
a Heatilator.*

**heatilator**<sup>®</sup>  
*The first name in fireplaces*

# Wood Designer Series

Woodburning Fireplaces

## The Possibilities are Unlimited!

The Wood Designer Series offer a wide array of installation possibilities, limited only by your imagination!

- **Your choice of** see-through, corner, and peninsula models makes it easy to customize any installation.
- **Full refractory lining, steel grate, safety fire screen and ash lip** create a true masonry fireplace appearance.
- **Corner unit** available in left or right opening design.
- **See-through units** available in two opening width sizes, 42" and 36".
- **Radiant, clean-faced design** allows finishing materials to be brought right up to the opening of the firebox.
- **Powder coat finish** has a deep, solid luster, the look of meticulous craftsmanship, and is resistant to abuse.
- **Outside air kit** to improve performance, especially in today's tightly constructed homes, available standard in see-through and peninsula models and as an option in corner models.
- **A stunning variety of designer option choices** available, including trim kits, glass doors, surrounds, and granite or marble finishing materials are available to make each installation unique.
- **Tested and listed to UL 127 Safety Standards.**
- **Heatilator 20-year Buyer Protection Plan.**

### *Certifications/General Considerations*

- When selecting a location for your Wood Designer fireplace, it is important to evaluate a number of considerations. A see-through fireplace should be installed between similar-sized rooms. Please consult with your dealer or sales representative to determine the best location for your fireplace.
- Consult local building codes for local installation and operational guidelines.
- Rough framing dimensions shown represent the distance from stud to stud only and do not take into consideration the addition of sheetrock/drywall.
- For best results, do not construct framing until the unit is in place.
- A hearth extension is required.

### *Venting Specifications*

- Use of Heatilator SL300 Series venting and accessories is required for CL36D, CR36D and ST36D models.
- Use of Heatilator SL1100 Series venting and accessories required for FL92 and ST42A models.

### *Finishing Materials*

- When finishing any model of the Wood Designer Series, combustible material may be brought up to the sides of the fireplace but must never overlap the black area. The black metal may be completely covered with noncombustible material only, such as marble, tile, stone, etc.

# Wood Designer Series

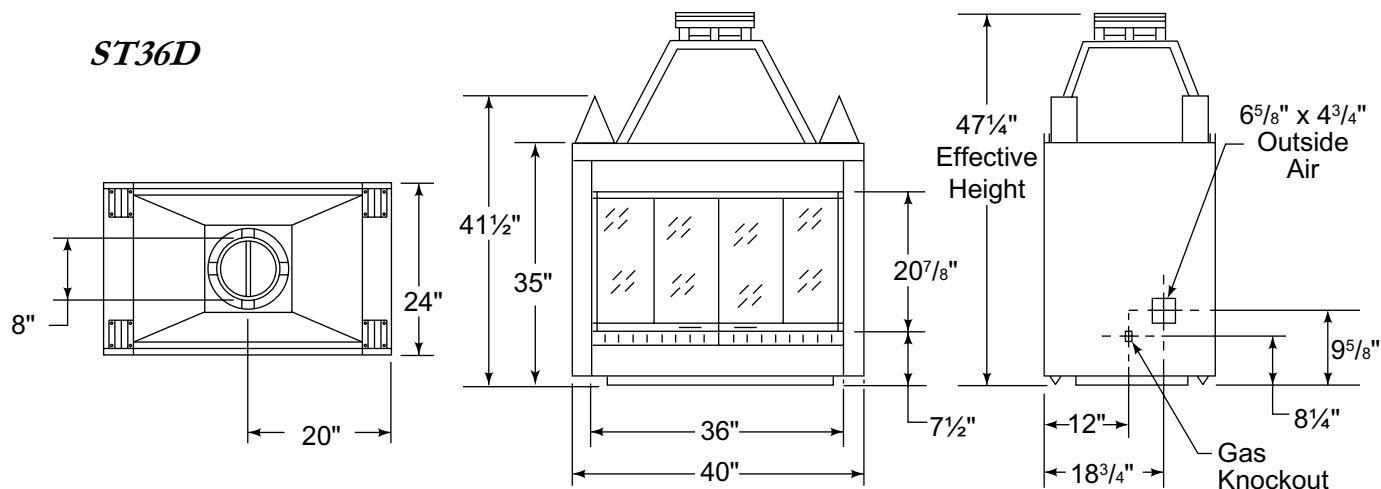
See-Through Fireplaces

PRODUCT & FRAMING DIMENSIONS

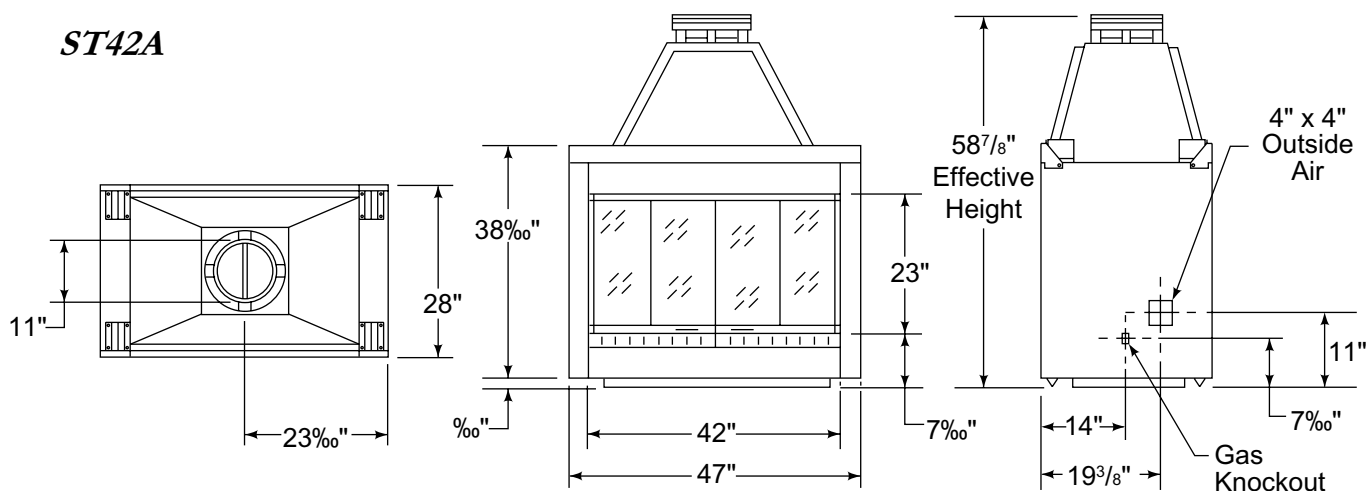
This information is for planning purposes only. Please refer to installation instructions when installing this product.

## Product Dimensions

**ST36D**

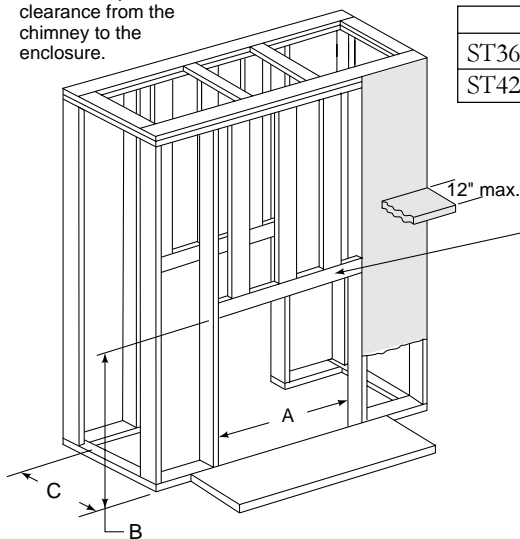


**ST42A**



## Framing Dimensions

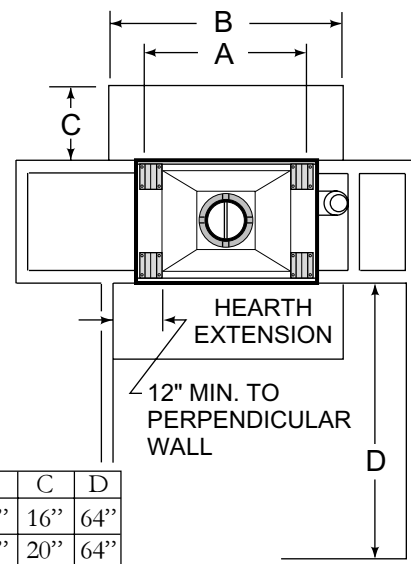
You must maintain 2" min. air space clearance from the chimney to the enclosure.



	A	B	C
ST36D	41"	42"	23"
ST42A	48"	39 1/8"	27"

Note: Fireplace Header cannot be positioned until after the fireplace assembly is in place.

## Appliance Locations



	A	B	C	D
ST36D	36"	52"	16"	64"
ST42A	42"	66"	20"	64"

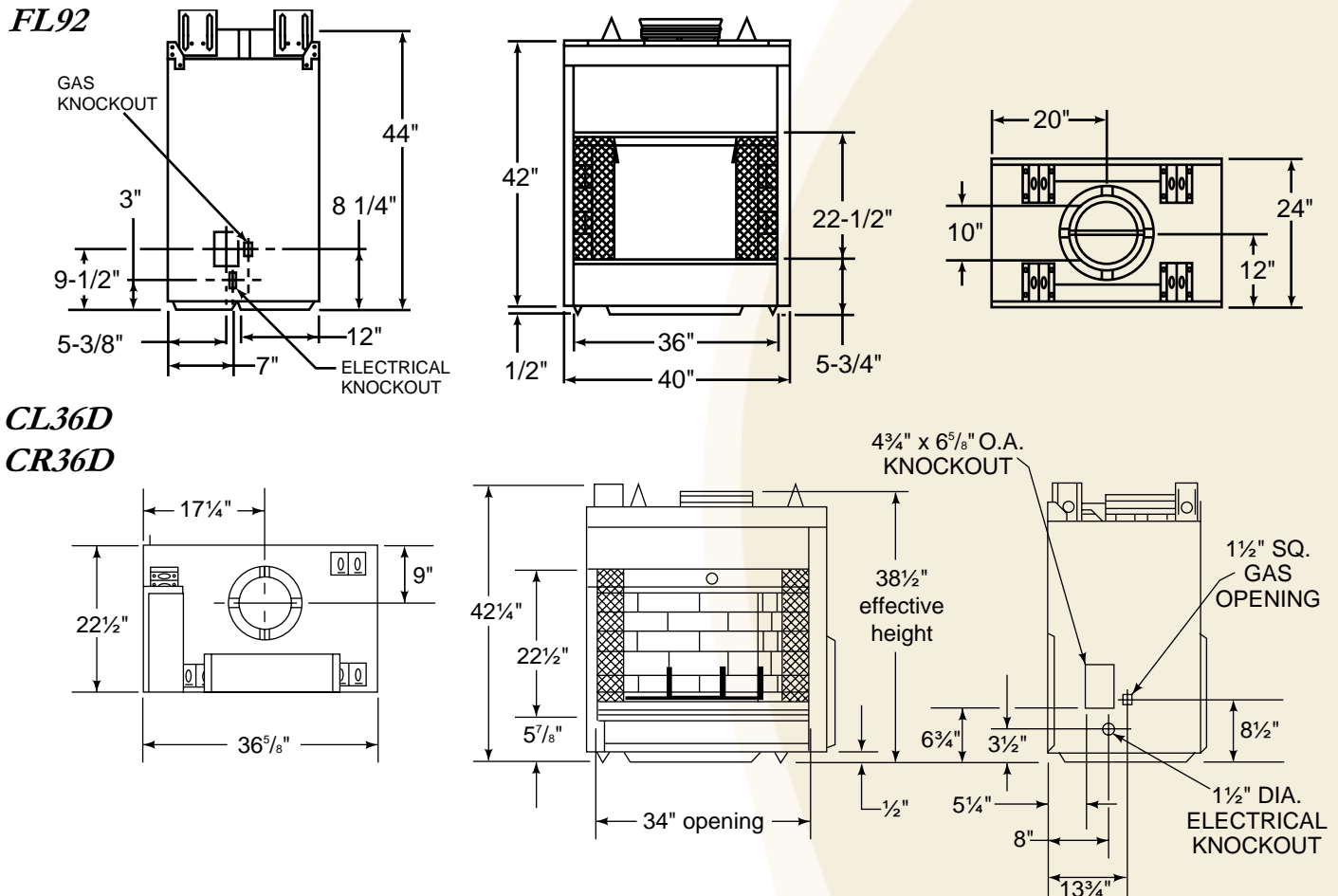
# Wood Designer Series

Peninsula and Corner  
Fireplaces

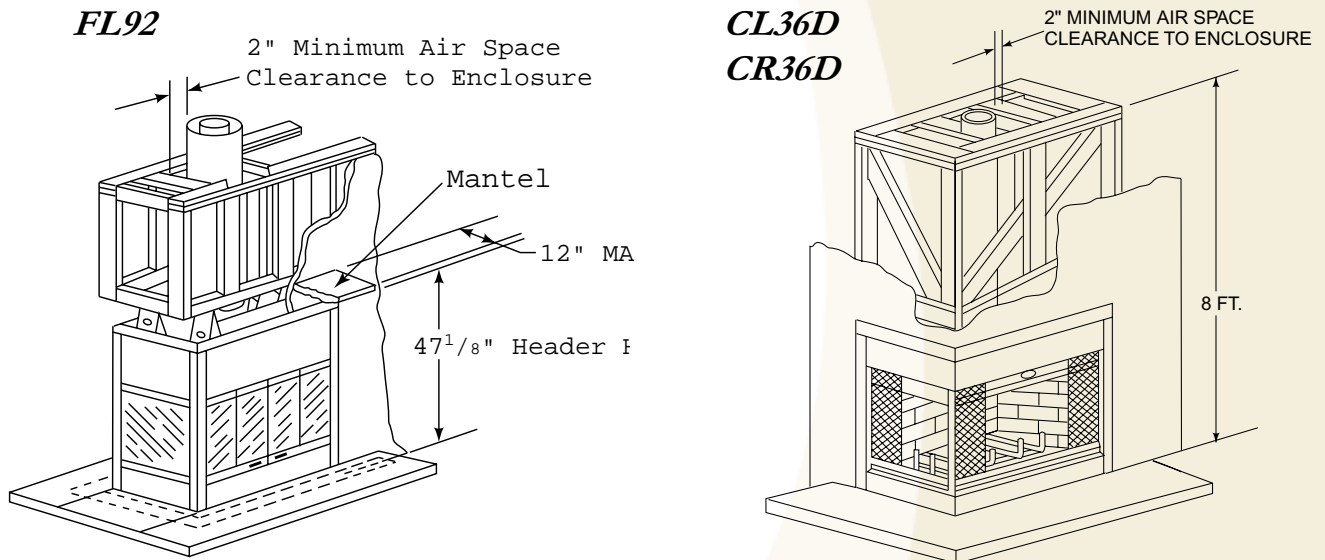
PRODUCT & FRAMING DIMENSIONS

This information is for planning purposes only. Please refer to installation instructions when installing this product.

## Product Dimensions



## Framing Dimensions



# Wood Designer Series

Woodburning Fireplaces

POSSIBILITIES



FL92



ST36D/  
ST42A (shown)



CL36D (shown)/  
CR36D

# Wood Designer Series

Woodburning Fireplaces

MODELS AND OPTIONS

Configuration	Nomenclature	Unit Size
	Model #	Viewing Width
See-through	ST36D	36"
See-through	ST42A	42"
Corner left	CL36D	34"
Corner right	CR36D	34"
Peninsula	FL92	36"

## Options



Briarwood Gas Logs



Charwood Gas Logs



Mistwood Gas Logs



Perception Glass Doors



Original Bi-Fold Glass Doors

Chimney air kit  
 4" insulated flex duct  
 4" uninsulated flex duct  
 Outside air kit (corner units only)  
 Mantels and surrounds  
 Fireplace perimeter trim

CAK4A, CAK5A  
 ID4  
 UD4  
 AK14  
 See MSRP Book  
 TK53B1

### Glass Doors and End Panels

Original bi-fold glass doors  
 FL92, ST36D DM1036/B/S  
 ST42A DM1242/B/S  
 CL36D, CR36D, DM1436/B/S  
 Perception glass doors  
 FL92, ST36D DP1036/B/S  
 ST42A DP1242/B/S  
 CL36D, CR36D DP1436/B/S  
 Fixed end panel  
 FL92 DM1000/B/S  
 FL92 DP1000/B/S  
 CL36D, CR36D DPE1436/B/S

AVAILABLE FROM

**heatilator**<sup>®</sup>  
*The first name in fireplaces*

a brand of Hearth & Home Technologies Inc.

1915 West Saunders Street • Mt. Pleasant, Iowa 52641

800-927-6841 • fax 800-259-1549 • heatilator.com

The information provided in this literature is for planning purposes only. Please consult the installation manual for actual installation.