



T4200

Radiant Woodburning Fireplace

It isn't
home without
a Heatilator.

heatilator[®]
The first name in fireplaces

T4200

Radiant Woodburning Fireplace



Tradition at its Finest!

- The T4200 gives the **appearance of a traditional masonry fireplace** with no visible black metal.
- **Clean face design** allows finishing materials to be brought to the edge of the firebox opening.
- **Large hearth area** and **attractive optional glass doors** make this fireplace a true focal point for any room.
- **Full refractory lining** and **safety fire screen** enhance the appearance of a traditional masonry fireplace.
- **Damper control** is easily accessible and an **outside air kit** allows air from outside the home to be used for combustion.
- **Gas knockouts** are standard features for easy installation of gas log lighters and gas log sets.
- **U.L. Listed** for assurance of safety and quality.
- **Heatilator 20-Year Buyer Protection Plan.**

Certifications/General Considerations

- The rough framing dimensions shown represent distance from stud to stud only and do not take into consideration the addition of sheetrock/drywall.
- If the front header is constructed prior to placement of the fireplace, the unit will not fit into framing due to the dome and starter section. For best results, do not construct framing until the unit is in place.
- Consult local building codes for local installation and operational guidelines.
- A hearth extension is required.

Venting Specifications

- Use of Heatilator SL1100 Series venting and accessories is required.
- Consult installation instruction manual for complete venting specifications.

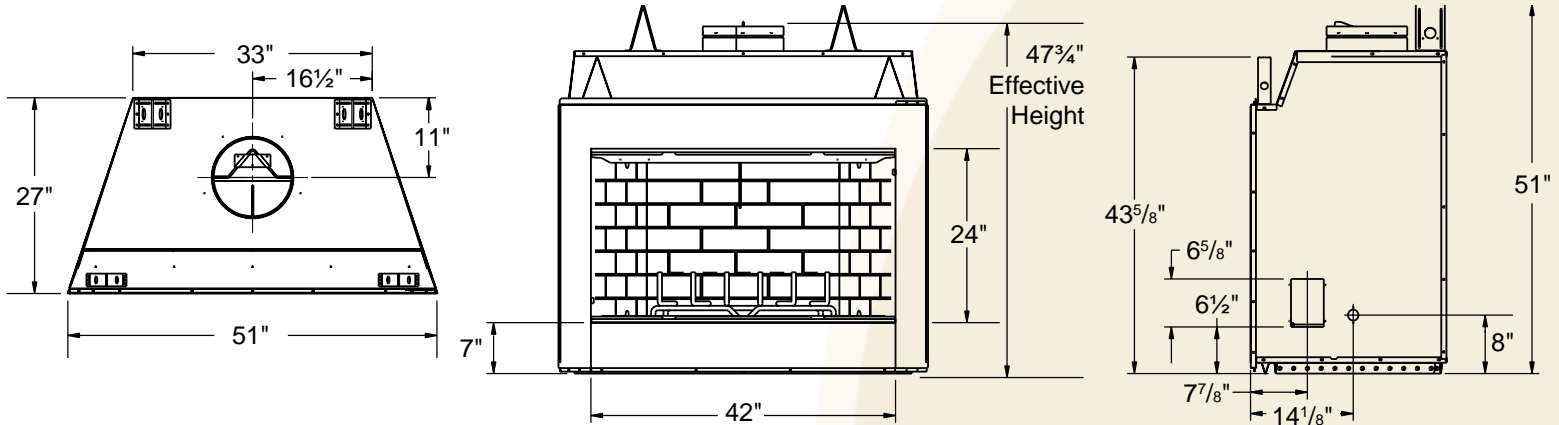
Finishing Materials

- When finishing the T4200, combustible material may be brought up to the sides of the fireplace but must never overlap the black area. The black metal may only be covered with noncombustible material, such as marble, tile, stone, etc.

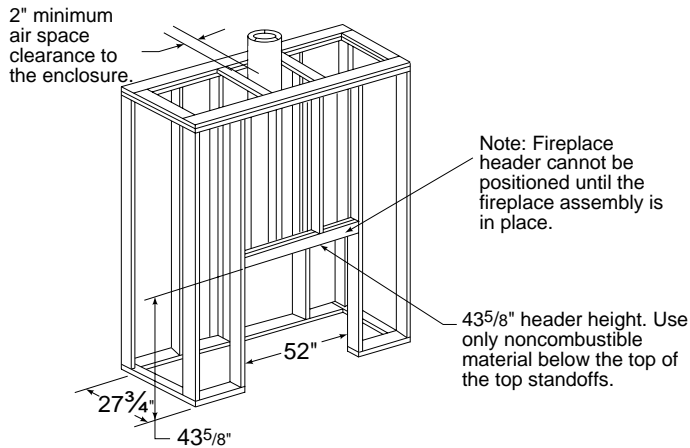
PRODUCT, FRAMING & CLEARANCE DIMENSIONS

This information is for planning purposes only. Please refer to installation instructions when installing this product.

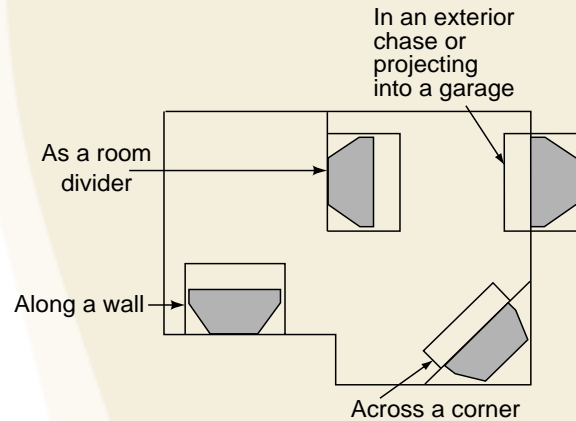
Product Dimensions



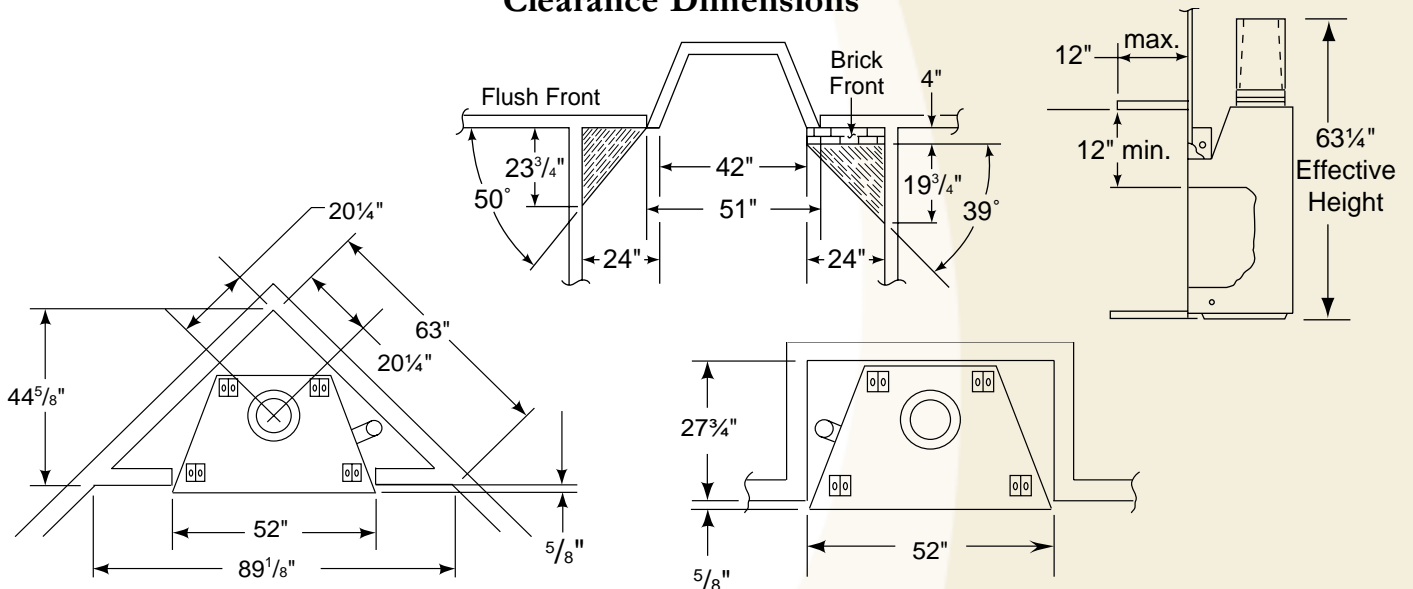
Framing Dimensions



Fireplace Locations



Clearance Dimensions



T4200

Radiant Woodburning
Fireplace

Model Available

T4200

42" Radiant Woodburning Fireplace

Venting Accessories

SL1100 Series Chimney Accessories

See MSRP for complete selection

Options



DM Glass Doors
DM1342/B/S



Versawood Gas Logs



Briarwood Gas Logs



Mistwood Gas Logs



Charwood Gas Logs

Options Not Pictured

Chimney air kit

4" I.D. insulated flex duct, for use with outside air kit

4" I.D. uninsulated flex duct, for use with outside air kit

Hearth extension

Facings and surrounds

CAK5A

ID4

UD4

HX4

See MSRP Book

AVAILABLE FROM

heatilator[®]
The first name in fireplaces

a brand of Hearth & Home Technologies Inc.

1915 West Saunders Street • Mt. Pleasant, Iowa 52641

800-927-6841 • fax 800-259-1549 • heatilator.com

Heatilator is a registered trademark of Hearth & Home Technologies Inc.

Specifications and options are subject to change.