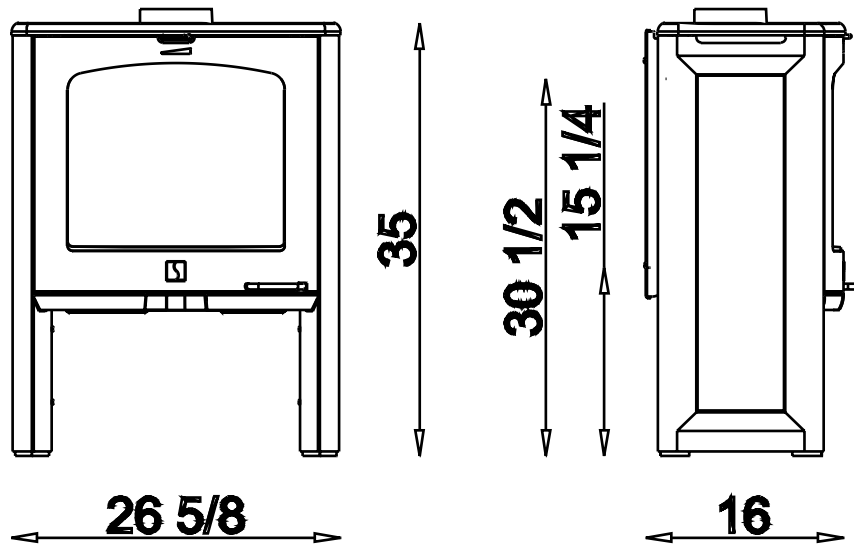


Convection



Soapstone/ Pierre Ollaire

